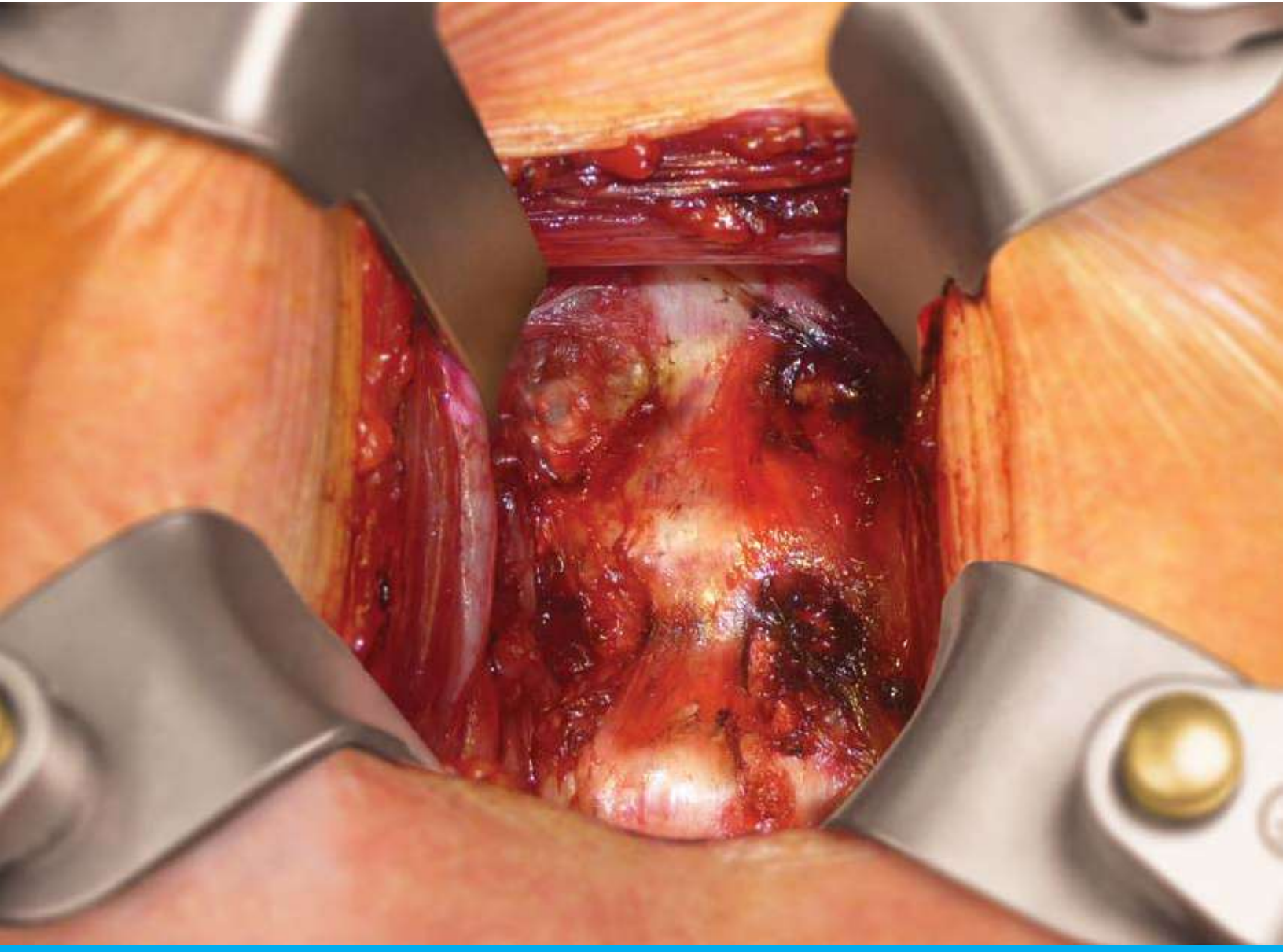


# Thompson Retractor

Uncompromised Exposure™



## Spine Catalog

FIRST EDITION

Cervical Spine Access - Lumbar Spine Access

## Table of Contents

Thompson Retractor: Innovation in Surgical Retraction .....	3
Thompson Retractor Exclusive Features .....	4-5
Cervical Spine Access.....	6-13
Cervical Retractor System.....	6-7
Cervical Spine Blades .....	8-11
Anterior Lumbar Spine Access .....	12-17
Anterior Lumbar System .....	12-13
Anterior Lumbar Ring System .....	14-15
Anterior Lumbar Spine Blades.....	16-19
Open Posterior Lumbar Spine Access.....	20-23
Open Posterior Lumbar System.....	20-21
Open Posterior Lumbar Blades .....	22-23
MIS Posterior Lumbar Access.....	24-27
MIS PLA® System .....	24-25
MIS PLA® Blades.....	26-27
Retractor System Components + Accessories .....	28-35
Product Index .....	36-39

For the most up-to-date version of this catalog, as well as Service and Warranty information, please see our website:

[WWW.THOMPSONSURGICAL.COM](http://WWW.THOMPSONSURGICAL.COM)

## Thompson<sup>®</sup> Retractor

### Innovation In Surgical Retraction

Thompson Surgical Instruments, Inc. is the market leader in surgical retraction and the original manufacturer of the table mounted retractor.

In use for over fifty years, the Thompson Retractor is the only mechanical retractor to offer one frame for all exposure needs, multi-planed independent retraction, and unlimited customization.

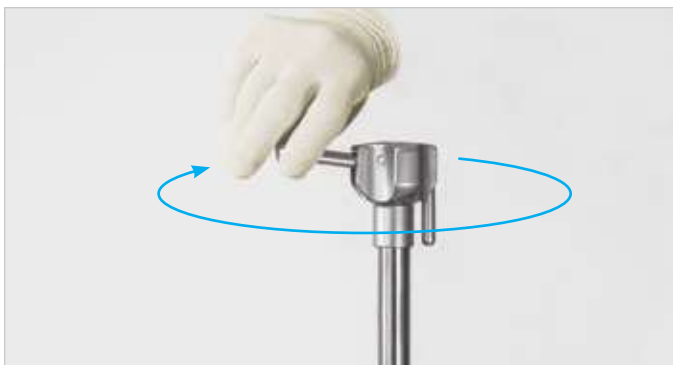
We understand the value of exposure in successful surgery and are dedicated to providing innovative, high quality retractor systems that deliver safe, versatile, low-profile retraction.

Spine surgeons especially will benefit from the Thompson Retractor's versatility and ability to independently retract and position every blade safely.

## **Thompson Retractor Exclusive Features**

### **Uncompromised Spine Exposure**

Thompson is dedicated to offering the most forward thinking, proven, and high quality features as a part of our spine retractor line. These exclusive, often patented, features define Thompson and allow for Uncompromised Exposure.



### Sterile Mount Rail Clamp

Thompson's table mounted frame eliminates retractor shifting. Top control eases attachment to table, as well as adjustments, within the sterile field.



### Truly Independent Frame Arms

Arms can be independently adjusted to create a low-profile work space. Independent movement enables safe, versatile retraction without dependence on adjacent arm position.



### One-Piece Clip-On Handles

Independent blade retraction is attained with independent handles. Joint clips anywhere on frame and quickly secures. One-piece reduces inventory and instrument counts.



### NEW Quick Angle Handles

Blades can be toed in or out 45° to help maintain a low-profile operating field and achieve better exposure. Upgraded "pinch" joint feature allows for easier removal from frame.



### S-Lock® Technology

Option to naturally align with tissue in the swivel position, or eliminate swivel and precisely place blades in locked position. Easily switch from 'swivel' to 'locked' with the push of a button.



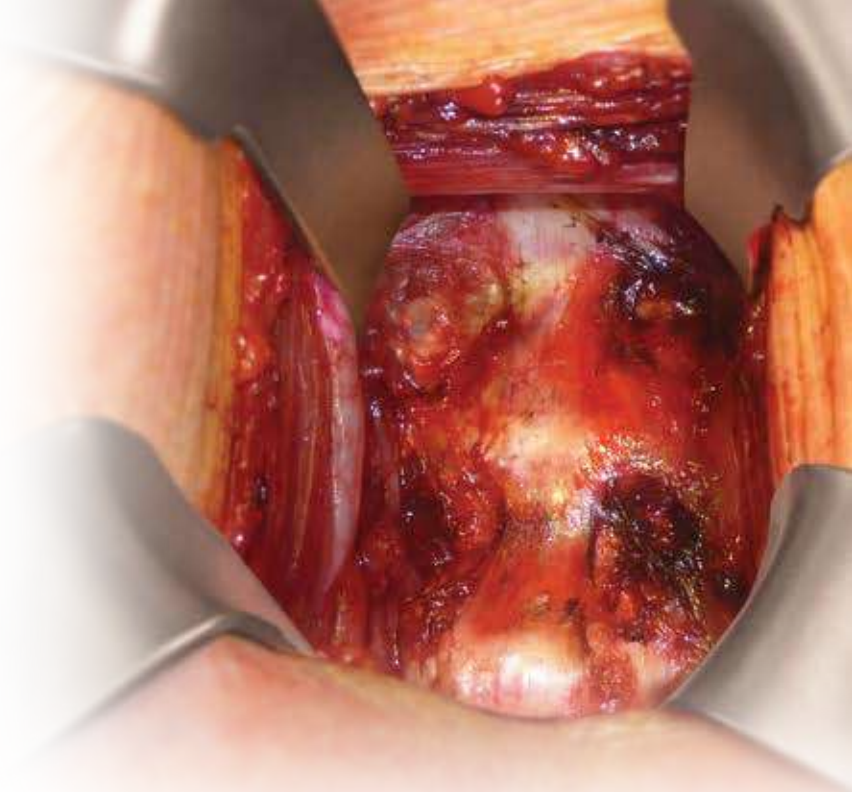
### Micro-Adjustable Technology

Micro-Adjustable Handles enable increased leverage and precise blade retraction with micro-adjustability.

## Cervical Spine Access

### Central, Stable Exposure

The Thompson Retractor for cervical spine access offers secure, table mounted solutions that prevent shifting, or "rise up" in the incision. Independent retraction and blade positioning eliminates the need for excess retraction required by self-retaining retractors to stay in place. Thompson's Cervical System provides independent, safe retraction of the esophagus, trachea, and nerves, as well as the ability to elevate the longus colli.



*"I use the Thompson retractor on every anterior cervical case, even single level procedures. The set up takes me **less than 2 minutes** and the improved exposure and solid non-mobile retraction provided is phenomenal."*

**- Vincent Traynelis, MD**



#### True Central Exposure

Independent blade positioning creates superior visibility with no retractor migration.



#### Eliminates Over-Retraction

Frame arms are independently adjusted, providing more control for safe, versatile, low profile retraction



#### Fast Set Up

Frame can be set up in under two minutes, and is ideal for single or multi-level procedures.

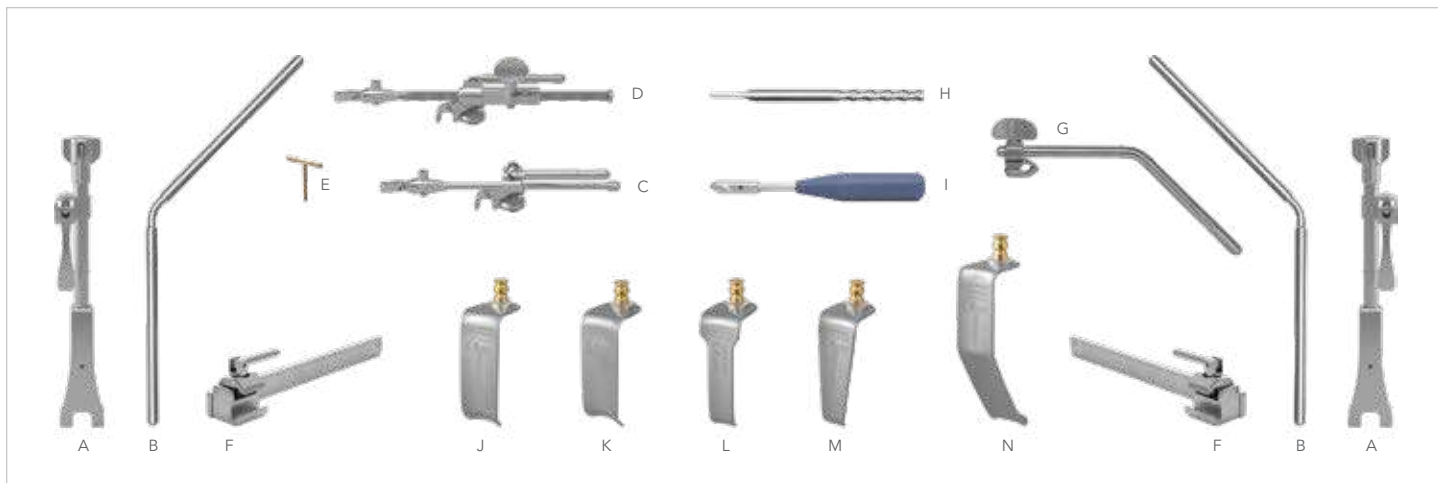


#### SYSTEM NOTICE:

Ideal for anterior or posterior cervical procedures.



# Cervical System Components

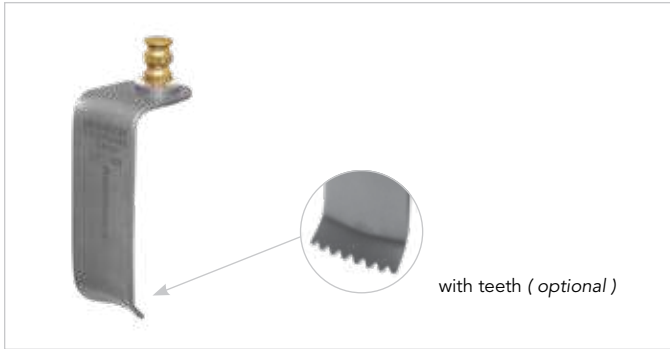


## CERVICAL SYSTEM

## #SL82017

REF	QTY	ITEM DESCRIPTION	PART #
A	2	Elite III Rail Clamp w/1 Cam Joint 11"	43902ACS
B	2	20" Angled Arm (10" x 10") @ 45°	44120
C	4	Cam II Clip-on Quick Angle 8"	SL42126WGP
D	1	Micro-Adjustable II Clip-on Quick Angle 7 ¾"	SL45007CGP
E	2	T-Handle	60020
F	2	Rail Extender 15" Single Clamp	5844
G	1	Extension Arm 12" with Hinge Joint	44014HS
H	1	Depth Gauge - Anterior Cervical	46521
I	2	Manipulator Handle	42228
	2	Radiolucent Concave Lateral 23mm x 35mm (1" x 1 ⅜")	SL46312AT
	2	Radiolucent Concave Lateral 23mm x 40mm (1" x 1 ½")	SL46314AT
	2	Radiolucent Concave Lateral 23mm x 45mm (1" x 1 ¾")	SL46316AT
	2	Radiolucent Concave Lateral 23mm x 50mm (1" x 2")	SL46318AT
	2	Radiolucent Concave Lateral 23mm x 55mm (1" x 2 ½")	SL46320AT
J	2	Radiolucent Concave Lateral 23mm x 60mm (1" x 2 ⅝")	SL46322AT
	2	Radiolucent Concave Lateral 23mm x 65mm (1" x 2 ½")	SL46324AT
	2	Radiolucent Concave Lateral 23mm x 70mm (1" x 2 ¾")	SL46326AT
	2	Radiolucent Concave Lateral 23mm x 75mm (1" x 3")	SL46328AT

REF	QTY	ITEM DESCRIPTION	PART #
	2	Radiolucent Concave Lateral 23mm x 80mm (1" x 3 ⅞")	SL46330AT
	2	Radiolucent Concave Longitudinal 23mm x 40mm (1" x 1 ½")	SL45161AT
	2	Radiolucent Concave Longitudinal 23mm x 50mm (1" x 2")	SL45162AT
K	2	Radiolucent Concave Longitudinal 23mm x 60mm (1" x 2 ⅝")	SL45163AT
	2	Radiolucent Concave Longitudinal 23mm x 70mm (1" x 2 ¾")	SL45164AT
	2	Radiolucent Concave Micro 14mm x 40mm (½" x 1 ½")	SL46512AT
	2	Radiolucent Concave Micro 14mm x 50mm (½" x 2")	SL46516AT
L	2	Radiolucent Concave Micro 14mm x 60mm (½" x 2 ⅝")	SL46520AT
	2	Radiolucent Concave Micro 14mm x 70mm (½" x 2 ¾")	SL46524AT
	2	Radiolucent Concave Tapered 23mm x 40mm (1" x 1 ½")	SL45644AT
	2	Radiolucent Concave Tapered 23mm x 50mm (1" x 2")	SL45646AT
M	2	Radiolucent Concave Tapered 23mm x 60mm (1" x 2 ⅝")	SL45648AT
	2	Radiolucent Concave Tapered 23mm x 70mm (1" x 2 ¾")	SL45650AT
N	1	Radiolucent Odontoid 20mm x 90mm (¾" x 3 ½")	SL45666AT
	1	Instrument Case w/Pin Mat 22" x 11" x 3½"	50000G
	1	Instrument Case - Expanded Anterior Cervical	50000EAC



**Concave Lateral**

Ideal for medial and lateral retraction for multi and single level procedures. Concavity helps protect tissue.

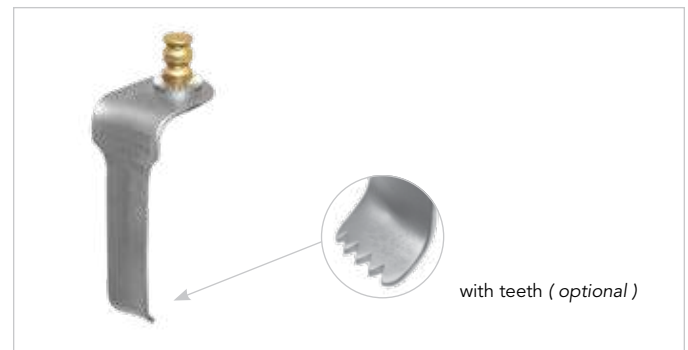
**CONCAVE LATERAL BLADES**

ITEM DESCRIPTION	PART #
18mm x 70mm (5/8" x 2 3/4")	SL45640A
19mm x 55mm (3/4" x 2 1/4")	SL45150A
25mm x 30mm (1" x 1 1/4")	SL45156A
25mm x 35mm (1" x 1 1/2")	SL45157A
25mm x 50mm (1" x 2")	SL45151A
25mm x 60mm (1" x 2 3/8")	SL45158A
25mm x 70mm (1" x 2 3/4")	SL45159A
25mm x 85mm (1" x 3 3/8")	SL45152A
<b>Radiolucent</b> 23mm x 35mm (1" x 1 3/8")	SL46312AT
<b>Radiolucent</b> 23mm x 40mm (1" x 1 1/2")	SL46314AT
<b>Radiolucent</b> 23mm x 45mm (1" x 1 3/4")	SL46316AT
<b>Radiolucent</b> 23mm x 50mm (1" x 2")	SL46318AT
<b>Radiolucent</b> 23mm x 55mm (1" x 2 1/8")	SL46320AT
<b>Radiolucent</b> 23mm x 60mm (1" x 2 3/8")	SL46322AT
<b>Radiolucent</b> 23mm x 65mm (1" x 2 1/2")	SL46324AT
<b>Radiolucent</b> 23mm x 70mm (1" x 2 3/4")	SL46326AT
<b>Radiolucent</b> 23mm x 75mm (1" x 3")	SL46328AT
<b>Radiolucent</b> 23mm x 80mm (1" x 3 1/8")	SL46330AT
<b>Radiolucent</b> 23mm x 85mm (1" x 3 3/8")	SL46332AT
<b>Radiolucent</b> 23mm x 90mm (1" x 3 1/2")	SL46334AT
<b>Radiolucent</b> 23mm x 95mm (1" x 3 3/4")	SL46336AT

Any of the Radiolucent Concave Lateral Blades may be ordered with teeth by adding a "T" to the end of the part number.

**CONCAVE LATERAL BLADES ( Continued )**

ITEM DESCRIPTION	PART #
<b>Radiolucent</b> 23mm x 100mm (1" x 4")	SL46338AT
<b>Radiolucent</b> 23mm x 105mm (1" x 4 1/8")	SL46340AT
<b>Radiolucent</b> 23mm x 110mm (1" x 4 3/8")	SL46342AT
<b>Radiolucent</b> 23mm x 115mm (1" x 4 1/2")	SL46344AT
<b>Radiolucent</b> 23mm x 120mm (1" x 4 3/4")	SL46346AT
<b>Radiolucent</b> 22mm x 60mm (7/8" x 2 3/8")	SL45150AT
<b>Radiolucent</b> 22mm x 70mm (7/8" x 2 3/4")	SL45151AT
<b>Radiolucent</b> 22mm x 80mm (7/8" x 3 1/8")	SL45152AT



**Concave Micro**

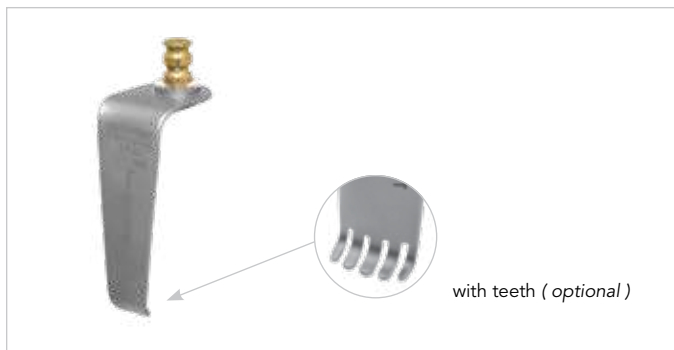
Provides excellent exposure for microsurgical operations. Narrow blade face allows better drill access for discectomy procedures.

**CONCAVE MICRO BLADES**

ITEM DESCRIPTION	PART #
<b>Radiolucent</b> 14mm x 35mm (1/2" x 1 3/8")	SL46510AT
<b>Radiolucent</b> 14mm x 40mm (1/2" x 1 1/2")	SL46512AT
<b>Radiolucent</b> 14mm x 45mm (1/2" x 1 1/2")	SL46514AT
<b>Radiolucent</b> 14mm x 50mm (1/2" x 2")	SL46516AT
<b>Radiolucent</b> 14mm x 55mm (1/2" x 2 1/8")	SL46518AT
<b>Radiolucent</b> 14mm x 60mm (1/2" x 2 3/8")	SL46520AT
<b>Radiolucent</b> 14mm x 65mm (1/2" x 2 1/2")	SL46523AT **
<b>Radiolucent</b> 14mm x 70mm (1/2" x 2 3/4")	SL46524AT **
<b>Radiolucent</b> 14mm x 75mm (1/2" x 3")	SL46526AT **
<b>Radiolucent</b> 14mm x 80mm (1/2" x 3 1/8")	SL46528AT **

Any of the Radiolucent Concave Micro Blades above may be ordered with teeth by adding "T" to the end of the part number. \*\* Slightly thicker blade





### Concave Tapered

Ideal for medial and lateral retraction for multi and single level procedures. Concavity helps protect the tissue. Narrow distal end allows better drill access for discectomy procedures.

#### CONCAVE TAPERED BLADES

ITEM DESCRIPTION	PART #
19mm x 35mm (¾" x 1 ⅜")	SL45643A
19mm x 45mm (¾" x 1 ¾")	SL45645A
19mm x 50mm (¾" x 2")	SL45646A
45mm x 50mm (1 ¾" x 2 ⅜")	SL45641A
45mm x 65mm (1 ¾" x 2 ¾")	SL45642A
<b>Radiolucent</b> 23mm x 35mm (1" x 1 ⅜")	SL45643AT
<b>Radiolucent</b> 23mm x 40mm (1" x 1 ½")	SL45644AT
<b>Radiolucent</b> 23mm x 45mm (1" x 1 ¾")	SL45645AT
<b>Radiolucent</b> 23mm x 50mm (1" x 2")	SL45646AT
<b>Radiolucent</b> 23mm x 55mm (1" x 2 ⅛")	SL45647AT
<b>Radiolucent</b> 23mm x 60mm (1" x 2 ⅜")	SL45648AT
<b>Radiolucent</b> 23mm x 65mm (1" x 2 ½")	SL45649AT
<b>Radiolucent</b> 23mm x 70mm (1" x 2 ¾")	SL45650AT
<b>Radiolucent</b> 23mm x 75mm (1" x 3")	SL45651AT
<b>Radiolucent</b> 23mm x 80mm (1" x 3 ⅛")	SL46562AT
<b>Radiolucent</b> 51mm x 50mm (2" x 2")	SL45641AT
<b>Radiolucent</b> 51mm x 65mm (2" x 2 ½")	SL45642AT

Any of the Radiolucent Concave Tapered Blades may be ordered with teeth by adding a "T" to the end of the part number.

#### **i** BLADE NOTICE

Aluminum blades also available, call for more information



### Concave Longitudinal

Ideal for longitudinal, medial, or lateral retraction. Blunt, concave distal end matches vertebral body for better longitudinal exposure.

#### CONCAVE LONGITUDINAL BLADES

ITEM DESCRIPTION	PART #
25mm x 30mm (1" x 1 ¼")	SL45160A
25mm x 50mm (1" x 2")	SL45161A
25mm x 70mm (1" x 2 ¾")	SL45162A
<b>Radiolucent</b> 23mm x 30mm (1" x 1 ¼")	SL45160AT
<b>Radiolucent</b> 23mm x 40mm (1" x 1 ½")	SL45161AT
<b>Radiolucent</b> 23mm x 50mm (1" x 2")	SL45162AT
<b>Radiolucent</b> 23mm x 60mm (1" x 2 ⅜")	SL45163AT
<b>Radiolucent</b> 23mm x 70mm (1" x 2 ¾")	SL45164AT
<b>Radiolucent</b> 23mm x 80mm (1" x 3 ⅛")	SL45165AT
<b>Radiolucent</b> 23mm x 90mm (1" x 3 ½")	SL45166AT
<b>Radiolucent</b> 23mm x 100mm (1" x 4")	SL45167AT
<b>Radiolucent</b> 23mm x 110mm (1" x 4 ⅜")	SL45168AT



### Odontoid

Ideal for anterior odontoid and longitudinal cephalad retraction.

#### ODONTOID BLADE

ITEM DESCRIPTION	PART #
<b>Radiolucent</b> 20mm x 90mm (¾" x 3 ½")	SL45666AT



### Malleable

Ideal for longitudinal cephalad retraction. Malleable design offers versatility.

#### MALLEABLE BLADES

ITEM DESCRIPTION	PART #
25mm x 110mm (1" x 4 5/16")	SL45656A
13mm x 90mm (1/2" x 3 1/2")	SL45657A
<b>Radiolucent</b> 25mm x 110mm (1" x 4 5/16")	SL45656AT
<b>Radiolucent</b> 13mm x 90mm (1/2" x 3 1/2")	SL45657AT



### Radiolucent MIS Reverse Tapered ( Syd )

Excellent exposure while maintaining a minimal incision size.

#### MIS TAPERED BLADES ( *Radiolucent* )

ITEM DESCRIPTION	PART #
<b>Radiolucent</b> 15mm x 23mm x 35mm (5/8" x 1" x 1 3/8")	SL45624AT
<b>Radiolucent</b> 15mm x 23mm x 40mm (5/8" x 1" x 1 1/2")	SL45625AT
<b>Radiolucent</b> 15mm x 23mm x 45mm (5/8" x 1" x 1 3/4")	SL45626AT
<b>Radiolucent</b> 15mm x 23mm x 50mm (5/8" x 1" x 2")	SL45627AT
<b>Radiolucent</b> 15mm x 23mm x 55mm (5/8" x 1" x 2 1/8")	SL45628AT
<b>Radiolucent</b> 15mm x 23mm x 60mm (5/8" x 1" x 2 3/8")	SL45629AT
<b>Radiolucent</b> 15mm x 23mm x 65mm (5/8" x 1" x 2 1/2")	SL45630AT
<b>Radiolucent</b> 15mm x 23mm x 70mm (5/8" x 1" x 2 3/4")	SL45631AT
<b>Radiolucent</b> 15mm x 23mm x 75mm (5/8" x 1" x 3")	SL45632AT



### Midline

Midline blades provide excellent access and visibility under the mandible and when extensive anterior cervical vertebra exposure is needed.

#### MIDLINE BLADES

ITEM DESCRIPTION	PART #
Right 70mm x 83mm (2 3/4" x 3 1/4")	SL45750A
Left 70mm x 83mm (2 3/4" x 3 1/4")	SL45751A
Left 57mm x 83mm (2 1/4" x 3 1/4")	SL45755A
Right 57mm x 83mm (2 1/4" x 3 1/4")	SL45754A
<b>Radiolucent</b> Right 70mm x 83mm (2 3/4" x 3 1/4")	SL45750AT
<b>Radiolucent</b> Left 70mm x 83mm (2 3/4" x 3 1/4")	SL45751AT



### Army-Navy

Retracts shallow or superficial tissue.

#### ARMY-NAVY BLADES ( *Radiopaque* )

ITEM DESCRIPTION	PART #
13mm x 55mm (1/2" x 2 1/8")	SL45620A
13mm x 65mm (1/2" x 2 5/8")	SL45621A
13mm x 75mm (1/2" x 3 1/16")	SL45622A



#### BLADE NOTICE

Aluminum blades also available, call for more information



### Concave Medial

Retracts anterior neck anatomy medially for anterior cervical spine exposure.

#### CONCAVE MEDIAL BLADES ( Radiopaque )

ITEM DESCRIPTION	PART #
13mm x 50mm (1/2" x 2")	SL45212A
13mm x 75mm (1/2" x 3")	SL45214A
13mm x 100mm (1/2" x 4")	SL45216A
19mm x 50mm (3/4" x 2")	SL45222A
19mm x 75mm (3/4" x 3")	SL45224A
19mm x 100mm (3/4" x 4")	SL45226A
25mm x 50mm (1" x 2")	SL45232A
25mm x 75mm (1" x 3")	SL45234A
25mm x 100mm (1" x 4")	SL45236A
32mm x 70mm (1 1/4" x 2 3/4")	SL45153A
38mm x 70mm (1 1/2" x 2 3/4")	SL45154A
38mm x 85mm (1 1/2" x 3 3/8")	SL45155A

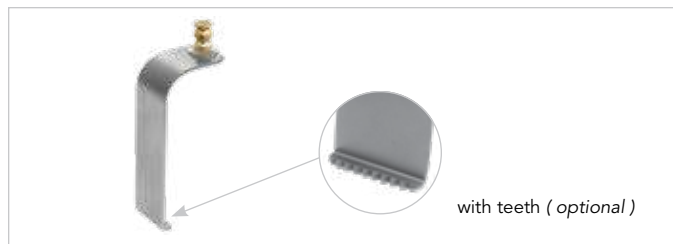


### Mini-Richardson

Muscle retraction for exposure with small or mini-incision.

#### MINI-RICHARDSON BLADES ( Radiopaque )

ITEM DESCRIPTION	PART #
19mm x 25mm (3/4" x 1")	SL46125
19mm x 51mm (3/4" x 2")	SL46125A
25mm x 32mm (1" x 1 1/4")	SL46126



### Meyerding

Ideal for laminectomies and muscle retraction.

#### MEYERDING BLADES

ITEM DESCRIPTION	PART #
16mm x 51mm (5/8" x 2")	SL45614A
16mm x 75mm (5/8" x 3")	SL45600A
16mm x 100mm (5/8" x 4")	SL45601A
25mm x 60mm (1" x 2 3/8")	SL45610A
25mm x 75mm (1" x 3")	SL45611A
25mm x 100mm (1" x 4")	SL45602A
25mm x 125mm (1" x 5")	SL45603A
51mm x 60mm (2" x 2 3/8")	SO45612A
51mm x 75mm (2" x 3")	SO45613A
51mm x 100mm (2" x 4")	SO45615A
51mm x 125mm (2" x 5")	SO45616A
<b>Radiolucent</b> 51mm x 60mm (2" x 2 3/8")	SO45612AET

Any of the Meyerding Blades above may be ordered with teeth by adding a "T" to the end of the part number.



### Depth Gauge

Measures the incision depth to aid in blade selection.

#### DEPTH GAUGE

ITEM DESCRIPTION	PART #
Anterior Cervical Depth Gauge 157.5mm (6 1/4")	46521

#### **i** BLADE NOTICES:

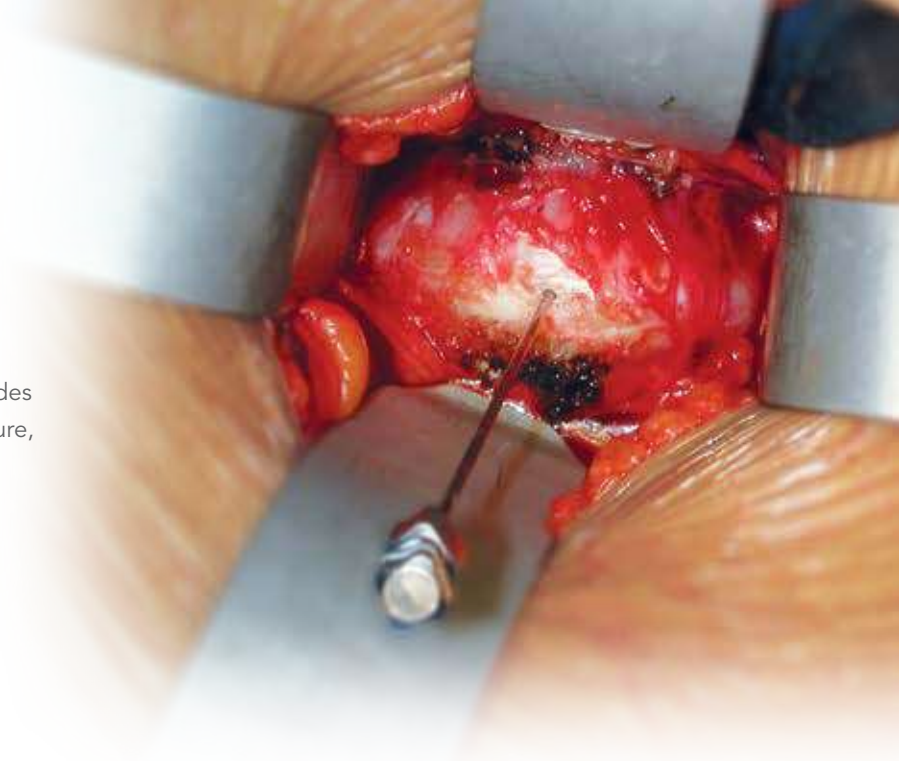
For longer cervical options, see Radiolucent Concave Renal Vein Blades, page 15.

Aluminum blades also available, call for more information

## Anterior Lumbar Access

### Low Profile, Stable Exposure

The anterior approach to the lumbar spine is heavily dependent on the ability of the access surgeon to provide exposure quickly and safely. The Thompson Retractor provides safe and effortless Uncompromised Anterior Lumbar Exposure, eliminating of shift or "rise up" in the wound, and possibly reducing the risk of vascular, nerve, and ureter injury.



*"The Thompson Spine Frame allows me to do cases which I would not have thought possible a few years ago and is absolutely essential in us developing these novel and extensive approaches."*

**- Bronek Boszczyk, MD**



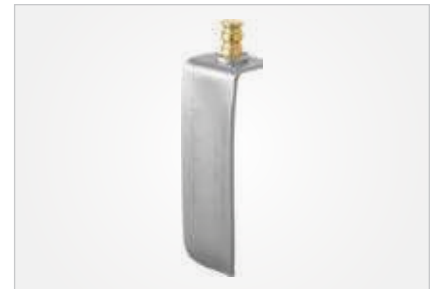
#### Exclusive Reverse Lip Blades

Stabilizes retraction by engaging the lateral aspect of the vertebral body.



#### Quick + Easy Blade Attachment

Add / remove blades, or switch from swivel to locked positions with the simple push of a button



#### Radiolucent, Strong Blades

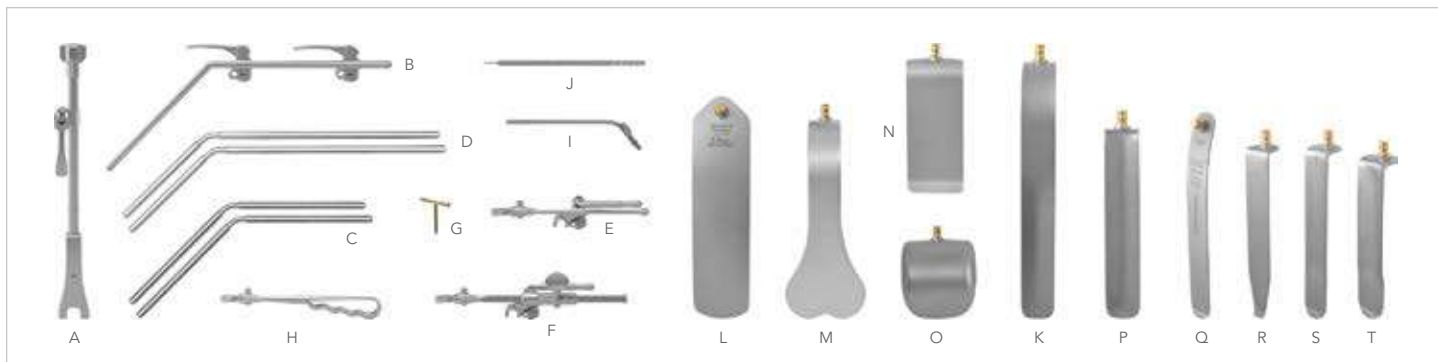
Superior strength prevents excessive flexing under heavy retraction. Available up to 250mm deep to accommodate all patient sizes.



#### SYSTEM NOTICE:

Non-S-Lock system available, but may require a longer lead time. Please call for more information.

# Anterior Lumbar System Components



## ANTERIOR LUMBAR SYSTEM

#SL82019

REF	QTY	ITEM DESCRIPTION	PART #
A	1	Elite III Rail Clamp with 1 Cam Joint 16"	43902ACL
B	1	Crossbar with 2 Cam III Joints 24"	43900BC
C	2	20" Angled Arm (10" x 10") @ 45°	44120
D	2	24" Angled Arm (8" x 16") @ 45°	44124N
E	5	Cam II Clip-on Quick Angle 8"	SL42126WGP
F	1	Micro-Adjustable II Clip-on Quick Angle 10"	SL45006CGP
G	2	T-Handle	60020
H	1	Quick Angle Hand Held Adapter	SL42128G
I	1	Suction for Anterior Lumbar Surgery	51234
J	1	Anterior Lumbar Depth Gauge 335mm	51236
	2	Radiolucent Malleable Renal Vein 25mm x 140mm (1" x 5 1/2")	SL46119BET
K	2	Radiolucent Malleable Renal Vein 25mm x 190mm (1" x 7 1/2")	SL46119CET
L	2	Radio. Malleable 51mm x 203mm (2" x 8")	SL46122ET
M	1	Radio. Harrington 64mm x 152mm (2 1/2" x 6")	SL46160ET
N	1	Radio. Splanchnic 51mm x 115mm (2" x 4 1/2")	SL46145ET
O	2	Radio. Balfour 65mm x 72mm (2 1/2" x 2 3/4")	SL46140ET
	4	Radio. Concave 25mm x 100mm (1" x 4")	SL46560
	4	Radio. Concave 25mm x 120mm (1" x 4 3/4")	SL46562
P	4	Radio. Concave 25mm x 140mm (1" x 5 1/2")	SL46564
	4	Radio. Concave 25mm x 160mm (1" x 6 1/4")	SL46566
	4	Radio. Concave 25mm x 180mm (1" x 7")	SL46568
Q	2	Radiolucent Reverse Lip Malleable 25mm x 200mm (1" x 7 7/8")	SL46192ET
	2	Radiolucent Reverse Lip Malleable 32mm x 200mm (1 1/4" x 7 7/8")	SL46193ET

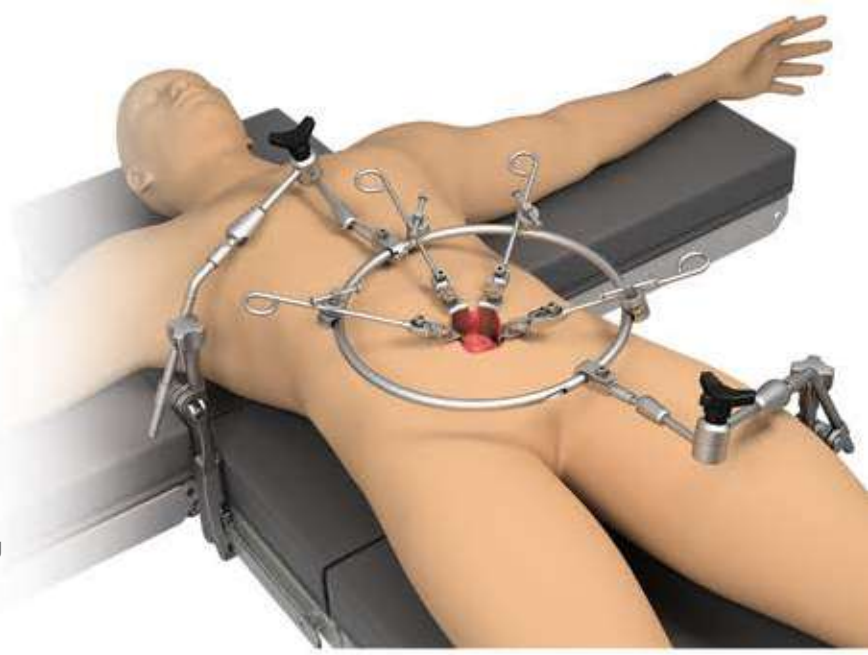
REF	QTY	ITEM DESCRIPTION	PART #
	2	Radiolucent Reverse Lip Tapered 25mm x 100mm (1" x 4")	SL46260TET
R	2	Radiolucent Reverse Lip Tapered 25mm x 150mm (1" x 5 7/8")	SL46265TET
	2	Radiolucent Reverse Lip Tapered 25mm x 200mm (1" x 7 7/8")	SL46270TET
	2	Radiolucent Reverse Lip Rigid 25mm x 110mm (1" x 4 3/8")	SL46261RET
	2	Radiolucent Reverse Lip Rigid 25mm x 130mm (1" x 5 1/8")	SL46263RET
S	2	Radiolucent Reverse Lip Rigid 25mm x 150mm (1" x 5 7/8")	SL46265RET
	2	Radiolucent Reverse Lip Rigid 25mm x 170mm (1" x 6 5/8")	SL46267RET
	2	Radiolucent Reverse Lip Rigid 25mm x 190mm (1" x 7 1/2")	SL46269RET
	2	Radiolucent Reverse Lip Rigid 32mm x 120mm (1 1/4" x 4 3/4")	SL46282RET
T	2	Radiolucent Reverse Lip Rigid 32mm x 140mm (1 1/4" x 5 1/2")	SL46284RET
	2	Radiolucent Reverse Lip Rigid 32mm x 160mm (1 1/4" x 6 1/4")	SL46286RET
	2	Radiolucent Reverse Lip Rigid 32mm x 180mm (1 1/4" x 7")	SL46288RET
	2	Radiolucent Reverse Lip Rigid 32mm x 200mm (1 1/4" x 7 7/8")	SL46290RET
	1	Instrument Case	50000G
	1	Instrument Case - Exp. Reverse Lip ASA	50000ERL
	1	Instrument Case - AL Renal Vein Blades	50000ALR
	1	Instrument Case - Anterior Lumbar	50000ALT

## Anterior Lumbar Ring System

### Stable, Independent Retraction

The low-profile Thompson Anterior Lumbar Ring System provides effortless, Uncompromised Exposure to the lumbar spine. The versatile ring frame allows for quick, precise placement of the handles around the surgical site while providing the surgeon with an unobstructed view of the working area.

New Free and Dual Angle handles allow for infinite positioning of blades. With S-Lock® Technology, add/remove blades, or switch from swivel to locked positions with the simple push of a button.



*“Thompson’s Anterior Lumbar Ring System provides a simple, safe, and intuitive platform to achieve consistent midline spine exposure using minimal incision size while affording maximal exposure of the anterior spine.”*

**- Jonathan E. Schoeff, MD**



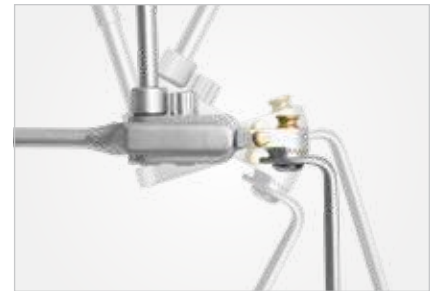
#### Secure Retraction

Low profile Circle Joints easily clip on and off the ring frame, while providing strong, secure attachment for retractor handles.



#### Stable Bilateral Set-Up

Versatile extension arms stabilize the ring frame while maximizing the working area around the operative site.

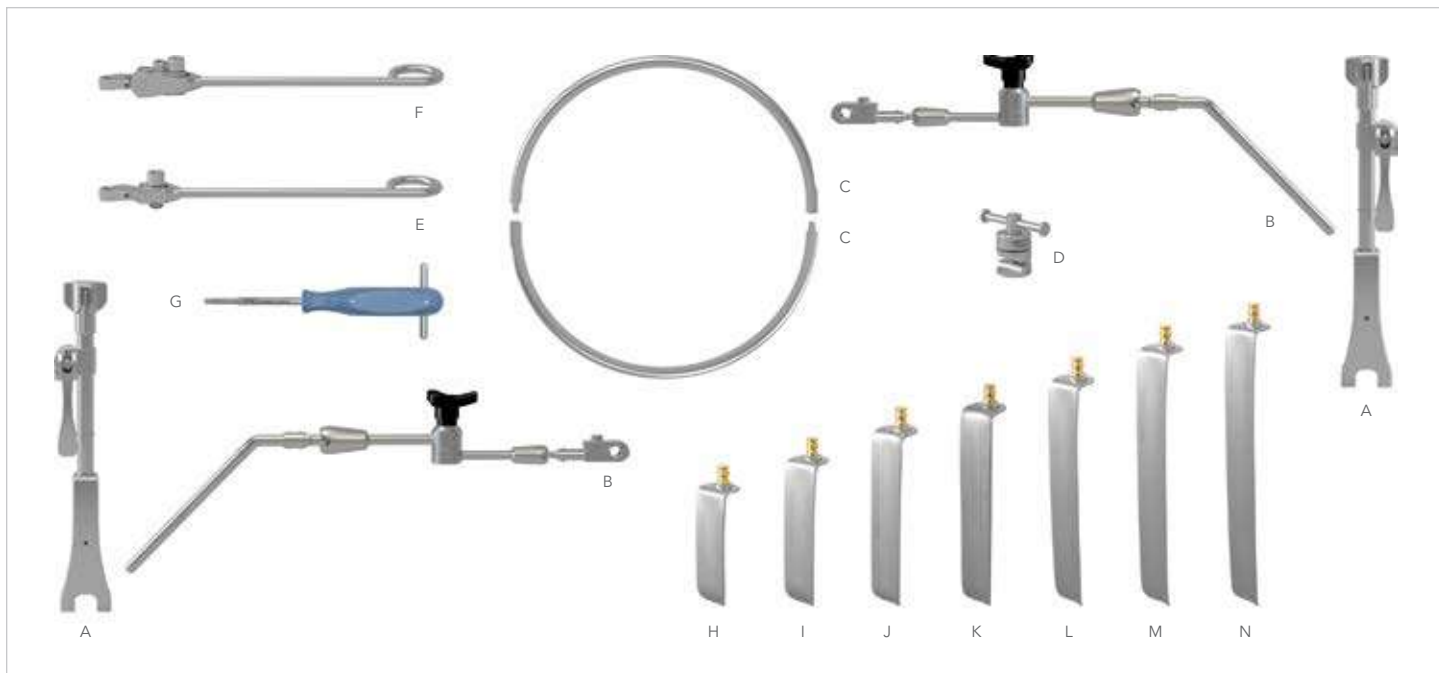


#### Free and Dual Angle Handles

Allows for precise, tactile blade positioning. Dual Angle Handles allow for additional micro-adjustments to the angulation of the blades.



## Anterior Lumbar Ring System Components



### ANTERIOR LUMBAR RING SYSTEM

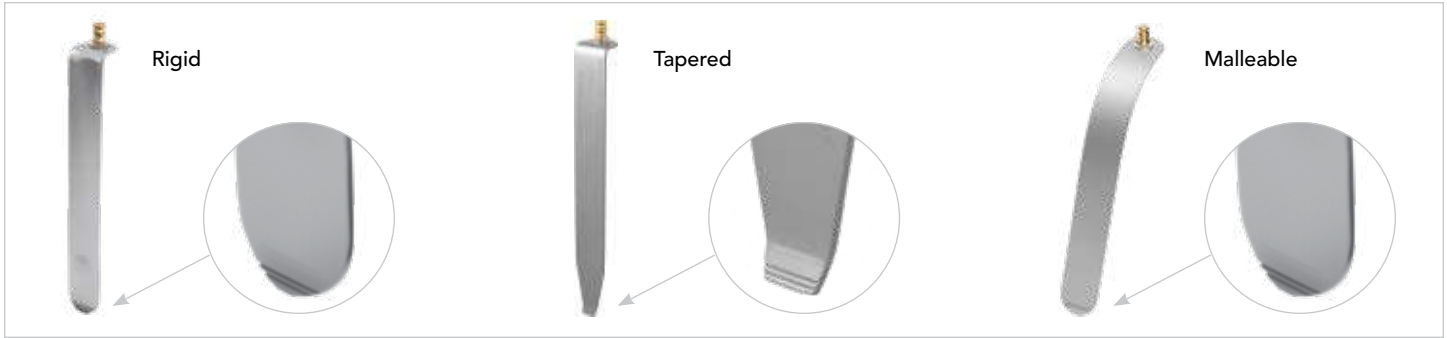
#SL82023

REF	QTY	ITEM DESCRIPTION	PART #
A	2	Elite III Rail Clamp with 1 Joint 11"	43902ACS
B	2	Extension Arm with Fixed Hinge Joint	44615FH
C	2	Ring Frame Half 13 1/2"	44224
D	6	Circle Joint 1/2" x 1/4"	42100
E	4	Free Angle Handle	SL42102
F	2	Dual Angle Handle	SL42101
G	2	Hex Tool 3/16" with T-Handle	60021
	2	Instrument Case with Pin Mat	50000G
H	4	Radiolucent Concave Renal Vein 25mm x 80mm (1" x 3 1/8")	SL46558

REF	QTY	ITEM DESCRIPTION	PART #
I	4	Radiolucent Concave Renal Vein 25mm x 100mm (1" x 4")	SL46560
J	4	Radiolucent Concave Renal Vein 25mm x 120mm (1" x 4 3/4")	SL46562
K	4	Radiolucent Concave Renal Vein 25mm x 140mm (1" x 5 1/2")	SL46564
L	4	Radiolucent Concave Renal Vein 25mm x 160mm (1" x 6 1/4")	SL46566
M	4	Radiolucent Concave Renal Vein 25mm x 180mm (1" x 7")	SL46568
N	4	Radiolucent Concave Renal Vein 25mm x 200mm (1" x 7 7/8")	SL46570
	1	Instrument Case - AL Renal Vein	50000ALR

**i SYSTEM NOTICE**

Elite Rail Clamp and Extension Arm may be ordered as a one-piece, permanently attached component, #44616EFH.



**Reverse Lip ( Brau ) Rigid**

Reverse Lip Blades engage at the lateral aspect of the disc and vertebral body to expose the anterior lumbar spine.

**BRAU REVERSE LIP RIGID BLADES**  
( Reduced Horizontal Length )

ITEM DESCRIPTION	PART #
Radiolucent Rigid 25mm x 100mm (1" x 4")	SL46260RET
Radiolucent Rigid 25mm x 110mm (1" x 4 3/8")	SL46261RET
Radiolucent Rigid 25mm x 120mm (1" x 4 3/4")	SL46262RET
Radiolucent Rigid 25mm x 130mm (1" x 5 1/8")	SL46263RET
Radiolucent Rigid 25mm x 140mm (1" x 5 1/2")	SL46264RET
Radiolucent Rigid 25mm x 150mm (1" x 5 7/8")	SL46265RET
Radiolucent Rigid 25mm x 160mm (1" x 6 1/4")	SL46266RET
Radiolucent Rigid 25mm x 170mm (1" x 6 5/8")	SL46267RET
Radiolucent Rigid 25mm x 180mm (1" x 7")	SL46268RET
Radiolucent Rigid 25mm x 190mm (1" x 7 1/2")	SL46269RET
Radiolucent Rigid 25mm x 200mm (1" x 7 7/8")	SL46270RET
Radiolucent Rigid 25mm x 210mm (1" x 8 1/4")	SL46271RET
Radiolucent Rigid 25mm x 220mm (1" x 8 5/8")	SL46272RET
Radiolucent Rigid 25mm x 230mm (1" x 9")	SL46273RET
Radiolucent Rigid 25mm x 240mm (1" x 9 1/2")	SL46274RET
Radiolucent Rigid 25mm x 250mm (1" x 9 7/8")	SL46275RET
Radiolucent Rigid 32mm x 100mm (1 1/4" x 4")	SL46280RET
Radiolucent Rigid 32mm x 110mm (1 1/4" x 4 3/8")	SL46281RET
Radiolucent Rigid 32mm x 120mm (1 1/4" x 4 3/4")	SL46282RET
Radiolucent Rigid 32mm x 130mm (1 1/4" x 5 1/8")	SL46283RET
Radiolucent Rigid 32mm x 140mm (1 1/4" x 5 1/2")	SL46284RET
Radiolucent Rigid 32mm x 150mm (1 1/4" x 5 7/8")	SL46285RET
Radiolucent Rigid 32mm x 160mm (1 1/4" x 6 1/4")	SL46286RET

**BRAU REVERSE LIP RIGID BLADES ( Continued )**

ITEM DESCRIPTION	PART #
Radiolucent Rigid 32mm x 170mm (1 1/4" x 6 5/8")	SL46287RET
Radiolucent Rigid 32mm x 180mm (1 1/4" x 7")	SL46288RET
Radiolucent Rigid 32mm x 190mm (1 1/4" x 7 1/2")	SL46289RET
Radiolucent Rigid 32mm x 200mm (1 1/4" x 7 7/8")	SL46290RET
Radiolucent Rigid 32mm x 210mm (1 1/4" x 8 1/4")	SL46291RET
Radiolucent Rigid 32mm x 220mm (1 1/4" x 8 5/8")	SL46292RET
Radiolucent Rigid 32mm x 230mm (1 1/4" x 9")	SL46293RET
Radiolucent Rigid 32mm x 240mm (1 1/4" x 9 1/2")	SL46294RET
Radiolucent Rigid 32mm x 250mm (1 1/4" x 9 7/8")	SL46295RET

**Reverse Lip ( Brau ) Tapered**

Tapered design is ideal for working around osteophytes.

**BRAU REVERSE LIP TAPERED BLADES**  
( Reduced Horizontal Length )

ITEM DESCRIPTION	PART #
Radiolucent Tapered 25mm x 100mm (1" x 4")	SL46260TET
Radiolucent Tapered 25mm x 150mm (1" x 5 7/8")	SL46265TET
Radiolucent Tapered 25mm x 200mm (1" x 7 7/8")	SL46270TET
Radiolucent Tapered 25mm x 250mm (1" x 9 7/8")	SL46275TET

**Reverse Lip ( Brau ) Malleable**

Malleable design is ideal for vessel or soft tissue retraction.

**BRAU REVERSE LIP MALLEABLE BLADES**

ITEM DESCRIPTION	PART #
Radiolucent Malleable 25mm x 200mm (1" x 7 7/8")	SL46192ET
Radiolucent Malleable 32mm x 200mm (1 1/4" x 7 7/8")	SL46193ET



**BLADE NOTICE:**

Original longer horizontal neck sizes still available, call for details.



### Concave Renal Vein

Rigid, low profile vessel retraction.

#### CONCAVE RENAL VEIN BLADES

( Reduced Horizontal Length )

ITEM DESCRIPTION	PART #
Radiolucent 25mm x 80mm (1" x 3 1/8")	SL46558
Radiolucent 25mm x 90mm (1" x 3 1/2")	SL46559
Radiolucent 25mm x 100mm (1" x 4")	SL46560
Radiolucent 25mm x 110mm (1" x 4 3/8")	SL46561
Radiolucent 25mm x 120mm (1" x 4 3/4")	SL46562
Radiolucent 25mm x 130mm (1" x 5 1/8")	SL46563
Radiolucent 25mm x 140mm (1" x 5 1/2")	SL46564
Radiolucent 25mm x 150mm (1" x 5 7/8")	SL46565
Radiolucent 25mm x 160mm (1" x 6 1/4")	SL46566
Radiolucent 25mm x 170mm (1" x 6 5/8")	SL46567
Radiolucent 25mm x 180mm (1" x 7")	SL46568
Radiolucent 25mm x 190mm (1" x 7 1/2")	SL46569
Radiolucent 25mm x 200mm (1" x 7 7/8")	SL46570
Radiolucent 25mm x 210mm (1" x 8 1/4")	SL46571
Radiolucent 25mm x 220mm (1" x 8 5/8")	SL46572
Radiolucent 25mm x 230mm (1" x 9")	SL46573
Radiolucent 25mm x 240mm (1" x 9 1/2")	SL46574
Radiolucent 25mm x 250mm (1" x 9 7/8")	SL46575



### Rigid Renal Vein

Rigid vessel retraction.

#### RIGID RENAL VEIN BLADES

ITEM DESCRIPTION	PART #
Radiolucent 25mm x 203mm (1" x 8")	SL46118RET
Radiolucent 25mm x 140mm (1" x 5 1/2")	SL46119RET
Radiolucent 25mm x 191mm (1" x 7 1/2")	SL46120RET
Radiolucent 25mm x 254mm (1" x 10")	SL46121RET
Radiolucent 25mm x 305mm (1" x 12")	SL46122RET



### Concave Renal Vein

Renal vein or vessel retraction.

#### RIGID CONCAVE RENAL VEIN BLADES

ITEM DESCRIPTION	PART #
25mm x 140mm (1" x 5 1/2") Rigid	SL46119B
25mm x 191mm (1" x 7 1/2") Rigid	SL46119C

#### MALLEABLE CONCAVE RENAL VEIN BLADES

ITEM DESCRIPTION	PART #
Radiolucent 25mm x 140mm (1" x 5 1/2")	SL46119BET
Radiolucent 25mm x 190mm (1" x 7 1/2")	SL46119CET



**Balfour**

Costal margin or abdominal wall retraction.

**BALFOUR BLADES \***

ITEM DESCRIPTION	PART #
Radiolucent [with lips] 32mm x 32mm (1 ¼" x 1 ¼")	SL46142ET
Radiolucent [with lips] 32mm x 32mm (1 ¼" x 1 ¼") [Anodized Aluminum]	SL46142EB
Radiolucent [with lips] 51mm x 51mm (2" x 2") [Anodized Aluminum]	SL46142PEB
Radiolucent [with lips] 65mm x 72mm (2 ½" x 2 ¾")	SL46140ET **
Radiolucent [with lips] 65mm x 72mm (2 ½" x 2 ¾")	SO46140ET
Radiolucent [with lips] 65mm x 72mm (2 ½" x 2 ¾") [Anodized Aluminum]	SO46140EB
Radiolucent [small lips] 65mm x 72mm (2 ½" x 2 ¾")	SO46140CET
Radiolucent [small lips] 65mm x 72mm (2 ½" x 2 ¾") [Anodized Aluminum]	SO46140CEB
Radiolucent [with lips] 83mm x 70mm (3 ¼" x 2 ¾")	SL46141ET **
Radiolucent [with lips] 83mm x 70mm (3 ¼" x 2 ¾")	SO46141ET
Radiolucent [with lips] 83mm x 70mm (3 ¼" x 2 ¾") [Anodized Aluminum]	SO46141EB
Radiolucent [small lips] 83mm x 70mm (3 ¼" x 2 ¾")	SO46141CET
Radiolucent [small lips] 83mm x 70mm (3 ¼" x 2 ¾") [Anodized Aluminum]	SO46141CEB
Radiolucent [with lips] 83mm x 127mm (3 ¼" x 5")	SO46141DET
Radiolucent [with lips] 83mm x 127mm (3 ¼" x 5") [Anodized Aluminum]	SO46141DEB

\* Any Balfour blades may be ordered with small lips or without lips. Call to order.

\*\* For anterior lumbar use only.

**i BLADE NOTICE:**

Radopaque blades also available, call for details.



**Harrington ( "Sweetheart" )**

Ideal for organ or soft tissue retraction.

**HARRINGTON BLADES**

ITEM DESCRIPTION	PART #
Radiolucent 64mm x 152mm (2 ½" x 6")	SL46160ET
Radiolucent 64mm x 203mm (2 ½" x 8")	SL46163ET
Radiolucent 64mm x 254mm (2 ½" x 10")	SL46164ET
Radiolucent 64mm x 102mm (2 ½" x 4")	SL46165ET



**Deaver**

Aids in soft tissue retraction.

**DEAVER BLADES (NON MALLEABLE)**

ITEM DESCRIPTION	PART #
Radiolucent 25mm x 127mm (1" x 5")	SL46170ET
Radiolucent 38mm x 127mm (1 ½" x 5")	SL46172ET
Radiolucent 51mm x 127mm (2" x 5")	SL46174ET
Radiolucent 64mm x 127mm (2 ½" x 5")	SO46175ET
Radiolucent 76mm x 127mm (3" x 5")	SL46176ET **
Radiolucent 76mm x 127mm (3" x 5")	SO46176ET
Radiolucent 102mm x 127mm (4" x 5")	SL46178ET **
Radiolucent 102mm x 127mm (4" x 5")	SO46178ET



**Malleable**

Ideal for soft tissue retraction. Malleable design offers versatility.

**MALLEABLE BLADES**

ITEM DESCRIPTION	PART #
Radiolucent 25mm x 110mm (1" x 4 1/2")	SL45656AT
Radiolucent 13mm x 90mm (1/2" x 3 1/2")	SL45657AT
Radiolucent 13mm x 64mm (1/2" x 2 1/2")	SL46115ET
Radiolucent 13mm x 152mm (1/2" x 6")	SL46116ET
Radiolucent 13mm x 203mm (1/2" x 8")	SL46117ET
Radiolucent 25mm x 203mm (1" x 8")	SL46118ET
Radiolucent 25mm x 102mm (1" x 4")	SL46118PET
Radiolucent 51mm x 254mm (2" x 10")	SL46122AET
Radiolucent 51mm x 203mm (2" x 8")	SL46122ET
Radiolucent 64mm x 254mm (2 1/2" x 10")	SL46124ET
Radiolucent 76mm x 254mm (3" x 10")	SO46124AET
Radiolucent 102mm x 254mm (4" x 10")	SO46124BET



**Depth Gauge**

Measures the incision depth to aid in blade selection.

**DEPTH GAUGE**

ITEM DESCRIPTION	PART #
Anterior Lumbar Depth Gauge 335mm (13 1/8")	51236



**Splanchnich**

Soft tissue retraction.

**SPLANCHNICH BLADES**

ITEM DESCRIPTION	PART #
Radiolucent 25mm x 152mm (1" x 6")	SL46148ET
Radiolucent 25mm x 203mm (1" x 8")	SL46149ET
Radiolucent 51mm x 114mm (2" x 4 1/2")	SL46145ET
Radiolucent 51mm x 152mm (2" x 6")	SL46146ET
Radiolucent 51mm x 203mm (2" x 8")	SL46147ET



**Suction for Anterior Lumbar Surgery ( SALS )**

Specially designed to fit narrow collapsed disc spaces, while oval shape helps reduce clogging. Also sturdy enough to be used as a distractor while working in the disc space.

**SALS SUCTION TIP**

ITEM DESCRIPTION	PART #
Suction for Anterior Lumbar Surgery	51234



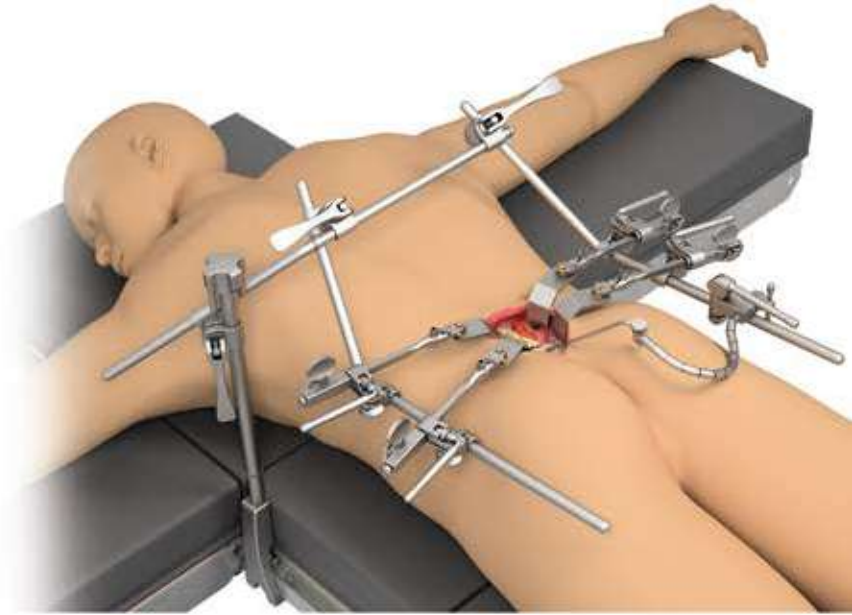
**BLADE NOTICE:**

Radopaque blades also available, call for details.

## Posterior Lumbar System

### Narrow to Wide Exposure for Complex Needs

When MIS isn't an option, open approaches may become necessary. The open Posterior Lumbar System is ideal for various procedures from deformity correction to discectomies.



*“This retractor provides focal and dependable retraction in the space between the transverse processes. This exposure facilitates a transforminial decompression, pedicle fixation, and intertransverse fusion in those patients in which an open approach is indicated. The system easily adapts to single or multilevel situations.”*

**- Vincent Traynelis, MD**



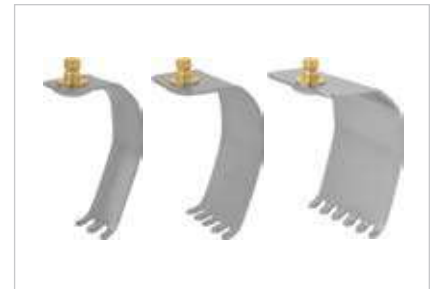
#### Nerve Root Retractors

- Available in 90° and 45° options
- Posterior lumbar nerve root retraction
- Flexible Blade Holder attaches to the frame and holds blades in position



#### Micro-Adjustable Strength

- Precise, micro-adjustable retraction
- Increased leverage and strength when needed
- Quick and easy adjustment



#### Blade Sizes

- 3 widths for single to multi levels
- Extra deep blades for large patients
- System is compatible with all cervical, posterior lumbar, and MIS PLA® blades in catalog



#### SYSTEM NOTICE:

For MIS Posterior Lumbar Access, see our MIS PLA® System.



# Posterior Lumbar System



## POSTERIOR LUMBAR SYSTEM

#SL82020

REF	QTY	ITEM DESCRIPTION	PART #
A	1	Elite III Rail Clamp with 1 Cam Joint 16"	43902ACL
B	1	Crossbar w/2 Cam Joints 24" (11" x 13")	43900BC
C	2	24" Angled Arm (8" x 16") @ 45°	44124N
D	1	Flexible Blade Holder with Cam Joint	42140C
F	4	Micro-Adj II Clip-on Quick Angle 7 3/4"	SL45007CGP
E	2	T-Handle	60020
G	2	Radiolucent Concave Posterior Lumbar 23mm x 80mm (1" x 3 1/8")	SO45670ATTC
H	2	Radiolucent Concave Posterior Lumbar 45mm x 80mm (1 3/4" x 3 1/8")	SO45671ATTC
I	2	Radiolucent Concave Posterior Lumbar 60mm x 80mm (2 3/8" x 3 1/8")	SO45672ATTC
J	2	Radiolucent Concave Posterior Lumbar 23mm x 100mm (1" x 4")	SO45673ATTC

REF	QTY	ITEM DESCRIPTION	PART #
K	2	Radiolucent Concave Posterior Lumbar 45mm x 100mm (1 3/4" x 4")	SO45674ATTC
L	2	Radiolucent Concave Posterior Lumbar 60mm x 100mm (2 3/8" x 4")	SO45675ATTC
M	2	Radiolucent Concave Posterior Lumbar 23mm x 120mm (1" x 4 3/4")	SO45676ATTC
N	2	Radiolucent Concave Posterior Lumbar 45mm x 120mm (1 3/4" x 4 3/4")	SO45677ATTC
O	2	Radiolucent Concave Posterior Lumbar 60mm x 120mm (2 3/8" x 4 3/4")	SO45678ATTC
P	1	Nerve Root Retractor 90° 5mm x 123mm (1/4" x 4 7/8")	45752A
Q	1	Nerve Root Retractor 45° 8mm x 145mm (3/8" x 5 3/4")	45753A
R	1	Prong Retractor 75mm (3")	SL45760A
S	1	Prong Retractor 100mm (4")	SL45761A
	2	Instrument Case	50000G



### Concave Posterior Lumbar

Lateral muscle retraction for posterior lumbar procedures.

#### CONCAVE POSTERIOR LUMBAR BLADES

ITEM DESCRIPTION	PART #
Radiolucent 23mm x 80mm (7/8" x 3 1/8")	SO45670ATTC
Radiolucent 45mm x 80mm (1 3/4" x 3 1/8")	SO45671ATTC
Radiolucent 60mm x 80mm (2 3/8" x 3 1/8")	SO45672ATTC
Radiolucent 23mm x 100mm (7/8" x 4")	SO45673ATTC
Radiolucent 45mm x 100mm (1 3/4" x 4")	SO45674ATTC
Radiolucent 60mm x 100mm (2 3/8" x 4")	SO45675ATTC
Radiolucent 23mm x 120mm (7/8" x 4 3/4")	SO45676ATTC
Radiolucent 45mm x 120mm (1 3/4" x 4 3/4")	SO45677ATTC
Radiolucent 60mm x 120mm (2 3/8" x 4 3/4")	SO45678ATTC
Radiolucent 23mm x 150mm (7/8" x 5 7/8")	SO45679ATTC
Radiolucent 45mm x 150mm (1 3/4" x 5 7/8")	SO45680ATTC
Radiolucent 60mm x 150mm (2 3/8" x 5 7/8")	SO45681ATTC
Radiolucent 23mm x 180mm (7/8" x 7")	SO45682ATTC
Radiolucent 45mm x 180mm (1 3/4" x 7")	SO45683ATTC
Radiolucent 60mm x 180mm (2 3/8" x 7")	SO45684ATTC



### Prong Retractors

Retracts off of the spinous process, or bone, to increase access around the retractor for procedures such as drilling.

#### PRONG RETRACTORS ( Radiopaque )

ITEM DESCRIPTION	PART #
75mm (3")	SL45760A
100mm (4")	SL45761A



**Nerve Root Retractors**

Held in place by the Flexible Blade Holder and provide posterior lumbar nerve root retraction.

**NERVE ROOT RETRACTORS ( Radiopaque )**

ITEM DESCRIPTION	PART #
90° 5mm x 123mm ( 1/4" x 4 7/8" )	45752A
45° 8mm x 145mm ( 5/8" x 5 3/4" )	45753A

( Used with 42140C Flexible Blade Holder )



**Flexible Blade Holder**

Attaches Nerve Root Retractors to the frame as needed.

**FLEXIBLE BLADE HOLDER**

ITEM DESCRIPTION	PART #
Flexible Blade Holder with Cam Joint	42140C

( For use with Nerve Root Retractors )

## MIS Posterior Lumbar Access

### Uncompromised MIS and Mini-Open Posterior Lumbar Exposure

The MIS Posterior Lumbar Access ( PLA® ) System allows spine surgeons to accomplish minimal access with maximum visualization. Utilizing a versatile frame platform, the system provides flexible, independent retraction and angling from all directions while also providing controlled and stable exposure.



The MIS PLA® System provides excellent exposure for Transforaminal Lumbar Interbody Fusion, Posterior Lumbar Interbody Fusion, Decompression, and Pedicle Screw Fixation.



#### MIS Tubular Exposure

- Low profile, simple set up
- Tubular or split tube visualization
- Integrated lighting eliminates the need for a headlamp



#### 3 or 4 blade Mini-Open Exposure

- Independent attachments
- Create three or four blade exposures
- Achieve lateral visualization



#### Blade Selection

- Black radiolucent Caudal / Cephalad blades reduce glare and improve visualization
- Medial and Lateral blades with Lips or Teeth prevent muscle creep & expand exposure
- Hooks are ideal for medial side



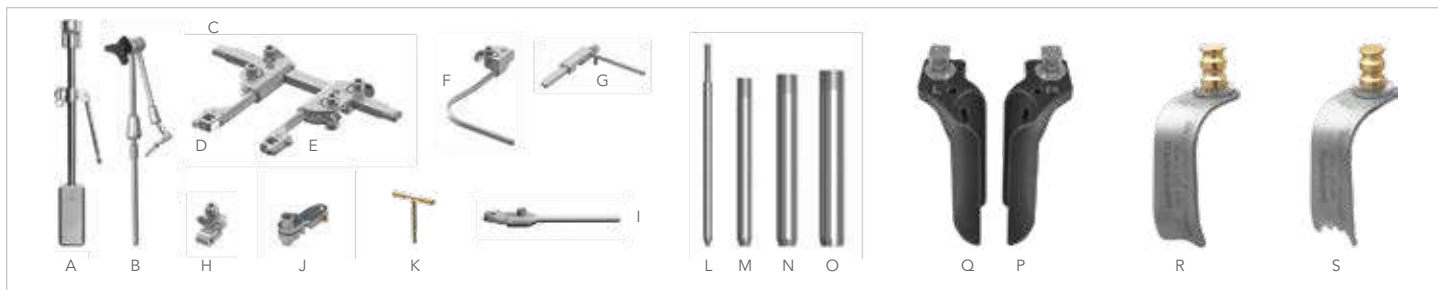
#### SYSTEM NOTICE

Add-On Kits available:

PLA® Midline Blade Add-On Kit #81024

MIS Retractor Lite LED Kit #40001MIS

# MIS PLA® System Components



## MIS PLA® SYSTEM

#SL82021

REF	QTY	ITEM DESCRIPTION	PART #
A	1	Elite II Rail Clamp with 1 Joint 16"	41902ACL
B	1	MIS Spine Frame Articulating Arm	42138N
C	1	MIS Spine Frame Rack 200mm	60010
D	1	MIS Spine Frame Left Arm	60009
E	1	MIS Spine Frame Right Arm	60008
F	1	MIS Spine Frame U-Bar Add On	47212
G	1	MIS Spine Frame L-Bar Add On	47213
H	1	¼" Side Clip x ¼" Slide w/Thumb Screw	47205T
I	1	S-Lock Quick Angle Handle 6"	SL45003G
J	1	S-Lock Interchangeable Head with ¼" Scissor	SL45012S
K	2	T-Handle	60020
	1	Instrument Case - MIS Spine Frame	50000MSF
L	1	Dilator #1 - 7mm	45831
M	1	Dilator #2 - 12mm	45832
N	1	Dilator #3 - 17mm	45833
O	1	Dilator #4 - 21mm	45834
P	1	Caudal/Cephalad Right 22mm x 40mm	45924R
Q	1	Caudal/Cephalad Left 22mm x 40mm	45924L
	1	Caudal/Cephalad Right 22mm x 50mm	45925R
	1	Caudal/Cephalad Left 22mm x 50mm	45925L
	1	Caudal/Cephalad Right 22mm x 60mm	45926R
	1	Caudal/Cephalad Left 22mm x 60mm	45926L
	1	Caudal/Cephalad Right 22mm x 70mm	45927R
	1	Caudal/Cephalad Left 22mm x 70mm	45927L
	1	Caudal/Cephalad Right 22mm x 80mm	45928R
	1	Caudal/Cephalad Left 22mm x 80mm	45928L
	1	Caudal/Cephalad Right 22mm x 90mm	45929R

REF	QTY	ITEM DESCRIPTION	PART #
	1	Caudal/Cephalad Left 22mm x 90mm	45929L
	1	Caudal/Cephalad Right 22mm x 100mm	45930R
	1	Caudal/Cephalad Left 22mm x 100mm	45930L
	1	Caudal/Cephalad Right 22mm x 110mm	45931R
	1	Caudal/Cephalad Left 22mm x 110mm	45931L
	1	Caudal/Cephalad Right 22mm x 120mm	45932R
	1	Caudal/Cephalad Left 22mm x 120mm	45932L
R	1	PLA Medial/Lateral w/Lip 40mm	SL46704AT
	1	PLA Medial/Lateral w/Lip 50mm	SL46705AT
	1	PLA Medial/Lateral w/Lip 60mm	SL46706AT
	1	PLA Medial/Lateral w/Lip 70mm	SL46707AT
	1	PLA Medial/Lateral w/Lip 80mm	SL46708AT
	1	PLA Medial/Lateral w/Lip 90mm	SL46709AT
	1	PLA Medial/Lateral w/Lip 100mm	SL46710AT
	1	PLA MMedial/Lateral w/Lip 110mm	SL46711AT
	1	PLA Medial/Lateral w/Lip 120mm	SL46712AT
S	1	PLA M/L w/Fine Teeth 13½mm x 40mm	SL46604ATT
	1	PLA M/L w/Fine Teeth 13½mm x 50mm	SL46605ATT
	1	PLA M/L w/Fine Teeth 13½mm x 60mm	SL46606ATT
	1	PLA M/L w/Fine Teeth 13½mm x 70mm	SL46607ATT
	1	PLA M/L w/Fine Teeth 13½mm x 80mm	SL46608ATT
	1	PLA M/L w/Fine Teeth 13½mm x 90mm	SL46609ATT
	1	PLA M/L w/Fine Teeth 13½mm x 100mm	SL46610ATT
	1	PLA M/L w/Fine Teeth 13½mm x 110mm	SL46611ATT
	1	PLA M/L w/Fine Teeth 13½mm x 120mm	SL46612ATT
	1	Instrument Case - PLA Blades and Sequential Dilators	50000PLA



### Caudal / Cephalad

Left and Right black radiolucent blades reduce glare and improve visualization. Compatible with MIS PLA® System only.

#### CAUDAL / CEPHALAD BLADES

ITEM DESCRIPTION	LEFT PART #
<b>Radiolucent</b> R 22mm x 40mm (7/8" x 1 1/2")	45924R
<b>Radiolucent</b> L 22mm x 40mm (7/8" x 1 1/2")	45924L
<b>Radiolucent</b> R 22mm x 50mm (7/8" x 2")	45925R
<b>Radiolucent</b> L 22mm x 50mm (7/8" x 2")	45925L
<b>Radiolucent</b> R 22mm x 60mm (7/8" x 2 3/8")	45926R
<b>Radiolucent</b> L 22mm x 60mm (7/8" x 2 3/8")	45926L
<b>Radiolucent</b> R 22mm x 70mm (7/8" x 2 3/4")	45927R
<b>Radiolucent</b> L 22mm x 70mm (7/8" x 2 3/4")	45927L
<b>Radiolucent</b> R 22mm x 80mm (7/8" x 3 1/8")	45928R
<b>Radiolucent</b> L 22mm x 80mm (7/8" x 3 1/8")	45928L
<b>Radiolucent</b> R 22mm x 90mm (7/8" x 3 1/2")	45929R
<b>Radiolucent</b> L 22mm x 90mm (7/8" x 3 1/2")	45929L
<b>Radiolucent</b> R 22mm x 100mm (7/8" x 4")	45930R
<b>Radiolucent</b> L 22mm x 100mm (7/8" x 4")	45930L
<b>Radiolucent</b> R 22mm x 110mm (7/8" x 4 3/8")	45931R
<b>Radiolucent</b> L 22mm x 110mm (7/8" x 4 3/8")	45931L
<b>Radiolucent</b> R 22mm x 120mm (7/8" x 4 3/4")	45932R
<b>Radiolucent</b> L 22mm x 120mm (7/8" x 4 3/4")	45932L



### Medial / Lateral

Prevent muscle creep & expand exposure.

#### MEDIAL / LATERAL BLADES W/LIP

ITEM DESCRIPTION	PART #
<b>Radiolucent</b> 13.5mm x 40mm (1/2" x 1 1/2")	SL46704AT
<b>Radiolucent</b> 13.5mm x 50mm (1/2" x 2")	SL46705AT
<b>Radiolucent</b> 13.5mm x 60mm (1/2" x 2 3/8")	SL46706AT
<b>Radiolucent</b> 13.5mm x 70mm (1/2" x 2 3/4")	SL46707AT
<b>Radiolucent</b> 13.5mm x 80mm (1/2" x 3 1/8")	SL46708AT
<b>Radiolucent</b> 13.5mm x 90mm (1/2" x 3 1/2")	SL46709AT
<b>Radiolucent</b> 13.5mm x 100mm (1/2" x 4")	SL46710AT
<b>Radiolucent</b> 13.5mm x 110mm (1/2" x 4 3/8")	SL46711AT
<b>Radiolucent</b> 13.5mm x 120mm (1/2" x 4 3/4")	SL46712AT

#### MEDIAL / LATERAL BLADES W/FINE TEETH

ITEM DESCRIPTION	PART #
<b>Radiolucent</b> 13.5mm x 40mm (1/2" x 1 1/2")	SL46604ATT
<b>Radiolucent</b> 13.5mm x 50mm (1/2" x 2")	SL46605ATT
<b>Radiolucent</b> 13.5mm x 60mm (1/2" x 2 3/8")	SL46606ATT
<b>Radiolucent</b> 13.5mm x 70mm (1/2" x 2 3/4")	SL46607ATT
<b>Radiolucent</b> 13.5mm x 80mm (1/2" x 3 1/8")	SL46608ATT
<b>Radiolucent</b> 13.5mm x 90mm (1/2" x 3 1/2")	SL46609ATT
<b>Radiolucent</b> 13.5mm x 100mm (1/2" x 4")	SL46610ATT
<b>Radiolucent</b> 13.5mm x 110mm (1/2" x 4 3/8")	SL46611ATT
<b>Radiolucent</b> 13.5mm x 120mm (1/2" x 4 3/4")	SL46612ATT





**Hook**

Hook blades are ideal for medial side.

**HOOK BLADES**

ITEM DESCRIPTION	PART #
Radiolucent 40mm (1 1/2")	SL45764
Radiolucent 50mm (2")	SL45765
Radiolucent 60mm (2 3/8")	SL45766
Radiolucent 70mm (2 3/4")	SL45767
Radiolucent 80mm (3 1/8")	SL45768
Radiolucent 90mm (3 1/2")	SL45769
Radiolucent 100mm (4")	SL45770
Radiolucent 110mm (4 3/8")	SL45771
Radiolucent 120mm (4 3/4")	SL45772



**PLA® Midline**

Midline or paraspinial muscle-splitting approaches. Compatible with MIS PLA® System only.

**PLA® MIDLINE BLADES**

ITEM DESCRIPTION	PART #
Radiolucent 22mm x 30mm (7/8" x 1 1/8")	45973
Radiolucent 22mm x 40mm (7/8" x 1 1/2")	45974
Radiolucent 22mm x 50mm (7/8" x 2")	45975
Radiolucent 22mm x 60mm (7/8" x 2 3/8")	45976
Radiolucent 22mm x 70mm (7/8" x 2 3/4")	45977
Radiolucent 22mm x 80mm (7/8" x 3 1/8")	45978
Radiolucent 22mm x 90mm (7/8" x 3 1/2")	45979
Radiolucent 22mm x 100mm (7/8" x 4")	45980
Radiolucent 22mm x 110mm (7/8" x 4 3/8")	45981
Radiolucent 22mm x 120mm (7/8" x 4 3/4")	45982
Radiolucent 22mm x 130mm (7/8" x 5 1/8")	45983
Radiolucent 27mm x 30mm (1" x 1 1/8")	45984
Radiolucent 27mm x 40mm (1" x 1 1/2")	45985
Radiolucent 27mm x 50mm (1" x 2")	45986
Radiolucent 27mm x 60mm (1" x 2 3/8")	45987
Radiolucent 27mm x 70mm (1" x 2 3/4")	45988
Radiolucent 27mm x 80mm (1" x 3 1/8")	45989
Radiolucent 27mm x 90mm (1" x 3 1/2")	45990
Radiolucent 27mm x 100mm (1" x 4")	45991
Radiolucent 27mm x 110mm (1" x 4 3/8")	45992
Radiolucent 27mm x 120mm (1" x 4 3/4")	45993
Radiolucent 27mm x 130mm (1" x 5 1/8")	45994



**PLA® Dual Blade Adapter**

Add to MIS Spine Frame Arms to enable multiple level exposure by using 2 PLA Midline Blades per side.

**PLA® DUAL BLADE ADAPTER**

ITEM DESCRIPTION	PART #
MIS Spine Frame Dual Blade Adapter ( 2 required for use )	60015

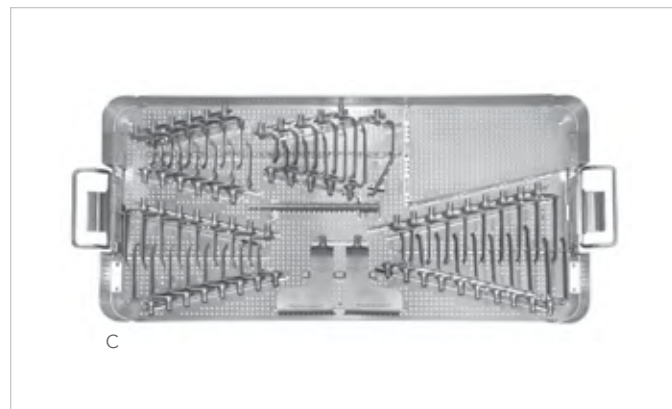
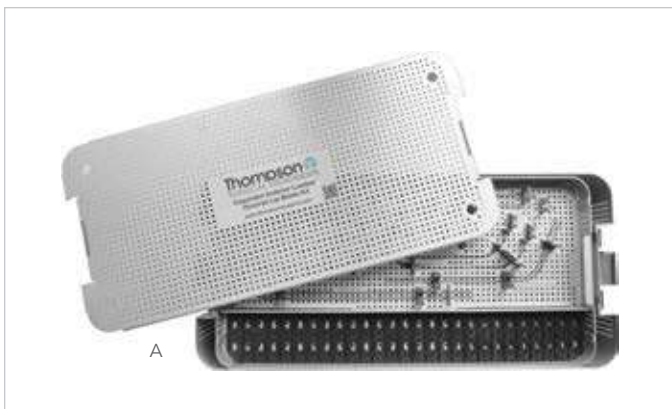
## System Components + Accessories

Instrument Trays .....	29
Rail Clamps.....	30
Rail Attachments.....	30
Crossbars.....	31
Frame Arms .....	31
Retractor Handles.....	32-33
Illumination .....	34-35



**S-LOCK® NOTICE:**

Non-S-Lock blades and retractor handles are still available, but may require a longer lead time. Call for more information.

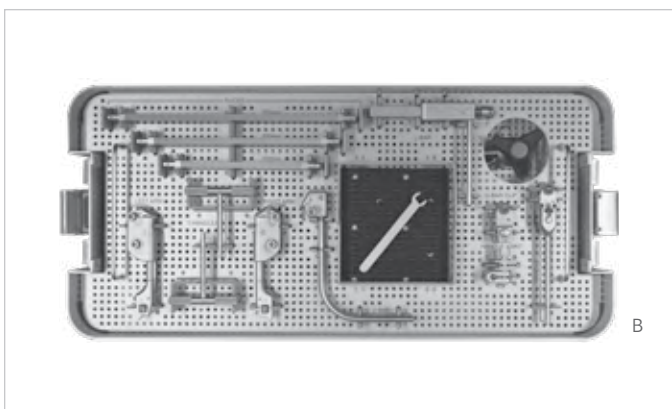


**ORGANIZED INSTRUMENT TRAYS - ANTERIOR LUMBAR SPINE**

REF	ITEM DESCRIPTION	PART #
	AL Renal Vein Blades	50000ALR
	Anterior Lumbar	50000ALT
A	Expanded Reverse Lip ASA	50000ERL
	Reverse Lip ASA	50000RLT

**ORGANIZED INSTRUMENT TRAYS - ANTERIOR CERVICAL SPINE**

REF	ITEM DESCRIPTION	PART #
	Anterior Cervical	50000ACT
C	Expanded Anterior Cervical	50000EAC
	Cervical Blade	50000UAC
	Cervical Blade Tray (Insert for 50000UAC)	50000UACT



**ORGANIZED INSTRUMENT TRAYS - MIS PLA**

REF	ITEM DESCRIPTION	PART #
	Midline Blades	50000ML
B	MIS Spine Frame	50000MSF
	PLA	50000PLA

**INSTRUMENT TRAYS**

REF	ITEM DESCRIPTION	PART #
D	22" x 11" x 3 1/2" w/Pin Mat	50000G
	26" x 10" x 5"	50000BL

## Rail Clamps + Extenders + Table Adapters

Providing stable support on the OR table for the crossbars and support arms

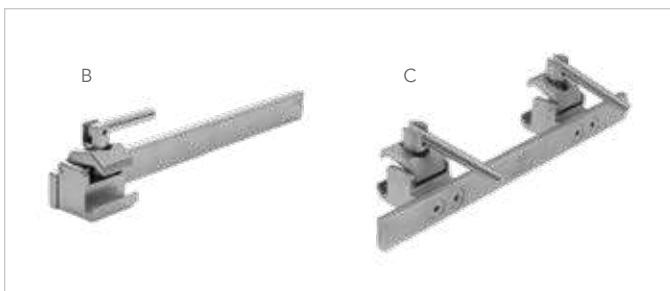
Thompson rail clamps attach to the OR bedrail over the sterile drapes and securely hold the crossbar and frame arms. Available in various heights including an "Infinite Height" version to meet a variety of surgeon needs and procedures.



### TABLE ADAPTER

Easily connects to Jackson Spine tables to add a standard bed rail for applying a table mounted Thompson Retractor System to your operation.

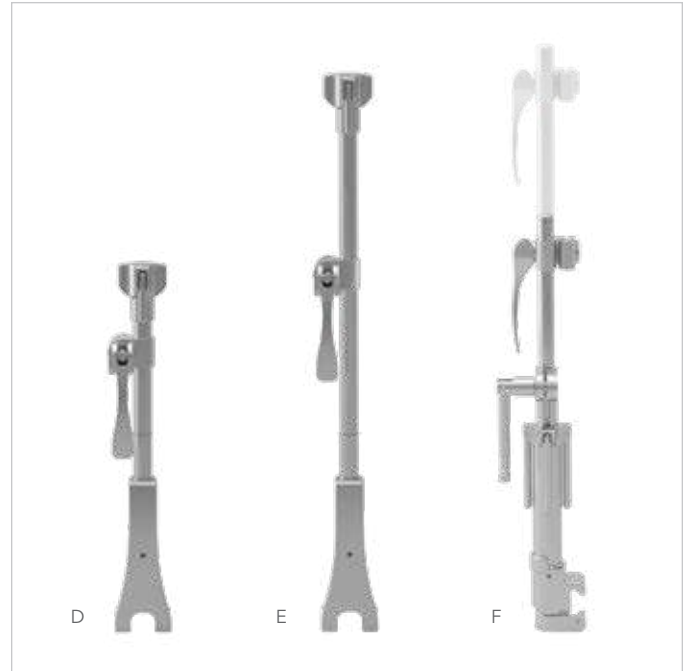
REF	ITEM DESCRIPTION	PART #
A	Jackson Spine Frame Adapter	41927



### RAIL EXTENDERS

Apply a Rail Extender to your OR table to increase your rail length or width and provide more attachment options for Thompson rail clamps.

REF	ITEM DESCRIPTION	PART #
B	Rail Extender 15" Single Clamp	5844
	Rail Extender 20" Single Clamp	41938
C	Rail Extender 14" Long with 2 1/4" Offset Dual Clamp	41917
	Rail Extender 22" Dual Clamp	41929



### ELITE III RAIL CLAMPS

Top control of the Elite III Rail Clamp allows attachment to the OR table within the sterile field. Various heights available.

REF	ITEM DESCRIPTION	PART #
D	11" (25cm) with 1 Cam Joint	43902ACS
	16" (41cm) with 1 Cam Joint	43902ACL
E	18" (45cm) with 1 Cam Joint	43902AC
	18" (45cm) with 2 Cam Joints	43903AC
	16" (41cm) with 2 Cam Joints	43903ACL
	22" (55cm) with 1 Cam Joint	43904AC
	22" (55cm) with 2 Cam Joints	43905AC
	26" (65cm) with 1 Cam Joint	43906AC
	26" (65cm) with 2 Cam Joints	43907AC
	11" (25cm) with 1 3/8" Cam Joint	43902S

### INFINITE HEIGHT RAIL CLAMPS ( IHRC )

The infinite Height Rail Clamp quickly adjusts to any height between 13" - 22" and accommodates all patient sizes.

REF	ITEM DESCRIPTION	PART #
F	IHRC with 1 Cam Joint	43902IRC
	IHRC with 2 Cam Joints	43903IRC



**NOTICE:**

Elite II Rail Clamps still available. Call for information.

## Crossbars + Frame Arms

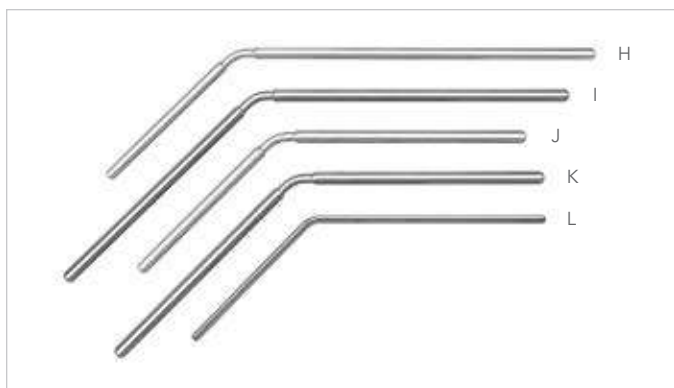
### Surround the Incision

Crossbars attach to the rail clamp, providing a platform to build your frame. Frame arms secure to the crossbar or rail clamp to provide support for retractor handles. (*Custom lengths available.*)



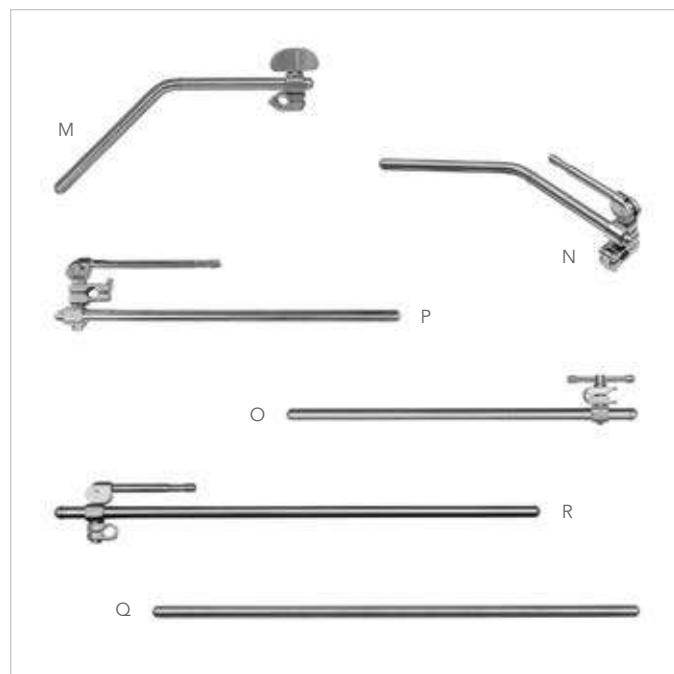
### CROSSBARS

REF	ITEM DESCRIPTION	PART #
G	Crossbar with 2 Cam Joints 24" (11" x 13")	43900BC
	Crossbar with 2 Cam Joints 24" (8" x 16")	43900BCW



### ANGLED LATERAL ARMS

REF	ITEM DESCRIPTION	PART #
	26" (6" x 20")	44126
H	24" (11" x 13")	44124W
I	24" (8" x 16")	44124N
J	18" (8" x 10")	44118N
K	20" (10" x 10")	44120
	12" (6" x 6")	44014S
	19" (12" x 7") (5/8") @ 45°	44119
L	17" (7" x 10") (5/8") @ 45°	44117



### EXTENSION + STRAIGHT ARMS

REF	ITEM DESCRIPTION	PART #
M	Extension Arm 12" with Hinge Joint	44014HS
N	Extension Arm 12" with Cam Latch Joint	44014LC
O	Extension Arm 14" with Clip Joint	44014C
	Extension Arm 16" with Clip Joint	44016C
	Extension Arm 20" with Clip Joint	44020C
	Hinged Extension Arm 12" x 12"	44115
P	Extension Arm 14" with Cam Latch Mount	44614LC
	Straight Arm 12"	44012N
Q	Straight Arm 20"	44120N
	Straight Arm with 1 Cam Joint 18"	44118C
R	Straight Arm with 1 Cam Joint 20"	44120C

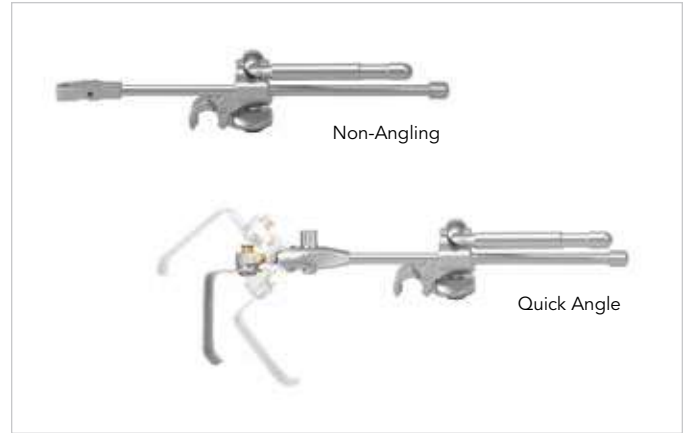
## Retractor Handles

### Three Dimensional Blade Positioning

Thompson Retractor handles contain patented and exclusive features that allow for controlled, precise, and variable blade placement. Recent upgrades include Quick Angle technology, as well as upgraded "pinch" joints for easier removal from frame. One-piece clip-on design reduces instrument counts and speeds set up time.

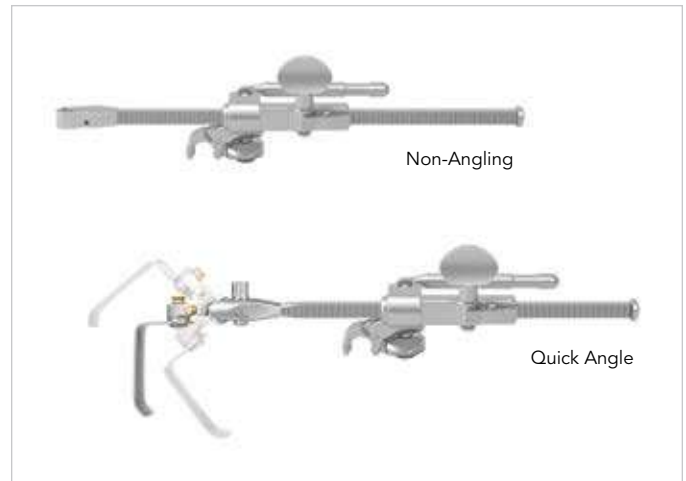
#### THREE DIMENSIONS:

- Angle
- Swivel, Lock
- Rotate



#### S-LOCK CAM II CLIP-ON HANDLES

ITEM DESCRIPTION	PART #
Cam II Clip-on Quick Angle 8"	SL42126WGP
Cam II Clip-on Quick Angle 10"	SL42126WGLP
Cam II Clip-on 8" (non-angling)	SL42126WHP
Cam II Clip-on Quick Angle 8" (3/8")	SL42127WGP



#### S-LOCK MICRO-ADJUSTABLE II HANDLES

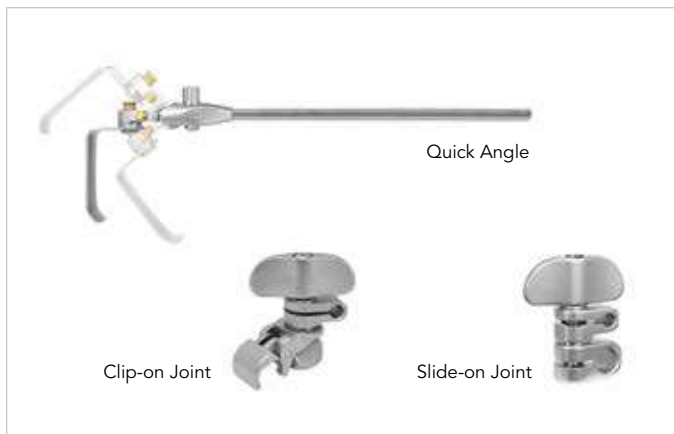
ITEM DESCRIPTION	PART #
Micro-Adjustable II Clip-on Quick Angle 10"	SL45006CGP
Micro-Adjustable II Clip-on Quick Angle 7 3/4"	SL45007CGP
Micro-Adjustable II Clip-on Quick Angle 15"	SL45006CGRP
Micro-Adjustable II Clip-on Quick Angle 20"	SL45007PGP
Micro-Adjustable II Clip-on 10 3/4" (non-angling)	SL45006STCP
Micro-Adjustable II Clip-on 8 3/4" (non-angling)	SL45007STCP
Micro-Adjustable II Slide-on Quick Angle 7 3/4"	SL45007STG



**NOTICE:**

Older style handles still available. Call for information.





## Handles for Non-Thompson Systems

### Adapt Thompson Blades to Non-Thompson Retractor Systems

Thompson's innovative technology and blades may be added to other retractor systems with the use of an adapter handle.

Call for ordering information.

### UNIVERSAL JOINTS AND S-LOCK HANDLES

Screw down joints provide extra controlled blade placement.

ITEM DESCRIPTION	PART #
Clip-on Joint 1/2" x 1/4"	42126NCP
Slide-on Joint 1/2" x 1/4"	42125N
Quick Angle Handle 8"	SL45003GS
Quick Angle Handle 10"	SL45003GSL
Handle 8" (non-angling)	SL45003L
Handle 10" (non-angling)	SL45003LM



### T-HANDLE

ITEM DESCRIPTION	PART #
T-Handle	60020



### S-LOCK QUICK ANGLE HAND HELD ADAPTER

ITEM DESCRIPTION	PART #
Quick Angle Hand Held Adapter	SL42128G

## Illumination

### Replace your headlight

Improve your exposure beyond retraction by adding cool, bright light to your operative site with Thompson's illumination options. Simply attach to your Thompson Retractor where additional lighting is needed.

The Mini Retractor Lite LED can be used only for cervical spine procedures where space is limited and incision size is small.



Choose the illumination for your retractor set up below:



#### **Mini Retractor Lite LED** ( Cervical )

Our lowest profile lighting accessory, ideal for cervical spine surgery. Simply attach the included Lite Clip to the cable and slide onto cervical spine blades to provide shadowless, cool LED light in the smallest areas.



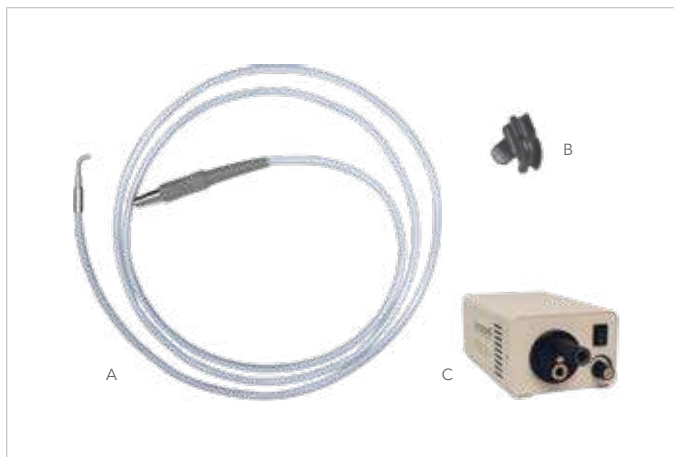
#### **Lite Wand Xe** ( Lumbar )

Easily attaches anywhere on your Thompson Retractor frame, while bendable gooseneck allows the light to reach the deepest, hard to see cavities improving illumination where it is needed most. May also be attached to any Thompson Retractor blade with the included Lite Clip.



#### **MIS Retractor Lite LED** ( MIS PLA® )

LED lights attach directly to your MIS PLA® Retractor System blades for low profile illumination.



**MINI RETRACTOR LITE LED KIT \* #40001MRL**

**MIS RETRACTOR LITE LED KIT #40001MIS**

REF	QTY	ITEM DESCRIPTION	PART #
A	1	Mini Retractor Lite LED	40002MRL
B	2	Mini Retractor Lite Clip ( Radiopaque )	40026MRL
	1	Instrument Case	50000LW
C	1	LED Light Source	LLS-2000-2

REF	QTY	ITEM DESCRIPTION	PART #
D	1	Mini Retractor Lite LED	40002MIS
E	1	LED Light Source	LLS-2000-2

\* Cervical use only



**LITE WAND XE KITS**

ITEM DESCRIPTION	PART #
Lite Wand Xe with ACMI Cable	40001X
Lite Wand Xe with Storz Cable	40002X
Lite Wand Xe with Wolf Cable	40004X
Lite Wand Xe with Olympus Cable	40019X

**NOTICE:** LED Light Source ( #LLS-2000-2 ) required for Mini Retractor Lite LED and MIS Retractor Lite LED. Xenon light source ( not included ) required for Lite Wand Xe.

## Product Index

Product Index ..... 37-39

PART #	DESCRIPTION	PAGE	PART #	DESCRIPTION	PAGE
5844	Rail Extender 15" Single Clamp	30	45932R	Caudal/Cephalad Right 22mm x 120mm (7/8" x 4 3/4")	26
40001MIS	MIS Retractor Lite LED Kit	35	45973	PLA Midline 22mm x 30mm (7/8" x 1 1/8")	27
40001MRL	Mini Retractor Lite LED Kit	35	45974	PLA Midline 22mm x 40mm (7/8" x 1 1/2")	27
40001X	Lite Wand Xe Kit with ACMI Cable	35	45975	PLA Midline 22mm x 50mm (7/8" x 2")	27
40002MIS	MIS Retractor Lite LED	35	45976	PLA Midline 22mm x 60mm (7/8" x 2 3/8")	27
40002MRL	Mini Retractor Lite LED	35	45977	PLA Midline 22mm x 70mm (7/8" x 2 3/4")	27
40002X	Lite Wand Xe Kit with Storz Cable	35	45978	PLA Midline 22mm x 80mm (7/8" x 3 1/8")	27
40004X	Lite Wand Xe Kit with Wolf Cable	35	45979	PLA Midline 22mm x 90mm (7/8" x 3 1/2")	27
40019X	Lite Wand Xe Kit with Olympus Cable	35	45980	PLA Midline 22mm x 100mm (7/8" x 4")	27
40026MRL	Mini Retractor Lite LED - Lite Clip	35	45981	PLA Midline 22mm x 110mm (7/8" x 4 3/8")	27
41902ACL	Elite II Rail Clamp with 1 Joint 16"	25	45982	PLA Midline 22mm x 120mm (7/8" x 4 3/4")	27
41917	Rail Extender 14" Long with 2 1/4" Offset Dual Clamp	30	45983	PLA Midline 22mm x 130mm (7/8" x 5 1/8")	27
41927	Jackson Frame Adapter	30	45984	PLA Midline 27mm x 30mm (1" x 1 1/8")	27
41929	Rail Extender 22" Dual Clamp	30	45985	PLA Midline 27mm x 40mm (1" x 1 1/2")	27
41938	Rail Extender 20" Single Clamp	30	45986	PLA Midline 27mm x 50mm (1" x 2")	27
42100	Circle Joint 1/2" x 1/4"	15	45987	PLA Midline 27mm x 60mm (1" x 2 3/8")	27
42125N	Slide-On Joint 1/2" x 1/4"	33	45988	PLA Midline 27mm x 70mm (1" x 2 3/4")	27
42126NCP	Clip-On Joint 1/2" x 1/4"	33	45989	PLA Midline 27mm x 80mm (1" x 3 1/8")	27
42138N	MIS Spine Frame Articulating Arm	25	45990	PLA Midline 27mm x 90mm (1" x 3 1/2")	27
42140C	Flexible Blade Holder Cam	23	45991	PLA Midline 27mm x 100mm (1" x 4")	27
42228	Manipulator Handle	7	45992	PLA Midline 27mm x 110mm (1" x 4 3/8")	27
43900BC	Crossbar with 2 Cam III Joints 24" (11" x 13")	31	45993	PLA Midline 27mm x 120mm (1" x 4 3/4")	27
43900BCW	Crossbar with 2 Cam III Joints 24" (8" x 16")	31	45994	PLA Midline 27mm x 130mm (1" x 5 1/8")	27
43902AC	Elite III Rail Clamp with 1 Joint 18"	30	46521	Depth Gauge Anterior Cervical 157.5mm (6 1/4")	11
43902ACL	Elite III Rail Clamp with 1 Joint 16"	30	47205T	1/4" Side Clip x 1/4" Slide with Thumb Screw	25
43902ACS	Elite III Rail Clamp with 1 Joint 11"	30	47212	MIS Spine Frame U-Bar Add On	25
43902IRC	Infinite Height Rail Clamp with 1 Cam III Joint	30	47213	MIS Spine Frame L-Bar Add on	25
43902S	Elite III Rail Clamp with 1 3/8" Joint 11"	30	50000ACT	Instrument Case - Anterior Cervical (22" x 11" x 3 1/2")	29
43903AC	Elite III Rail Clamp with 2 Joints 18"	30	50000ALR	Instrument Case - AL Renal Vein Blades (23" x 10 3/4" x 2 1/2")	29
43903ACL	Elite III Rail Clamp with 2 Joints 16"	30	50000ALT	Instrument Case - Anterior Lumbar (22" x 11" x 3 1/2")	29
43903IRC	Infinite Height Rail Clamp with 2 Cam III Joints	30	50000BL	Instrument Case (26" x 10" x 5")	29
43904AC	Elite III Rail Clamp with 1 Joint 22"	30	50000EAC	Instrument Case - Expanded Cervical (23" x 10 3/4" x 2")	29
43905AC	Elite III Rail Clamp with 2 Joints 22"	30	50000ERL	Instrument Case - Expanded Reverse Lip (23 1/2" x 11" x 5 1/4")	29
43906AC	Elite III Rail Clamp with 1 Joint 26"	30	50000G	Instrument Case with Pin Mat (23" x 11" x 3 1/2")	29
43907AC	Elite III Rail Clamp with 2 Joints 26"	30	50000LW	Instrument Case (6 1/4" x 14" x 2 1/2")	35
44012N	Straight Arm 12"	31	50000ML	Instrument Case - PLA Midline Blades (22" x 10" x 2 1/2")	29
44014C	Extension Arm with Clip Joint 14"	31	50000MSF	Instrument Case - MIS Spine Frame (23 1/4" x 11" x 4 1/2")	29
44014HS	Extension Arm 12" with Hinge Joint	31	50000PLA	Instrument Case - PLA (23 1/2" x 11" x 4")	29
44014LC	Extension Arm 12" with Cam Latch Joint	31	50000RLT	Instrument Case - Reverse Lip (22" x 11" x 3 1/2")	29
44014S	Angled Arm 12" (6" x 6")	31	50000UAC	Instrument Case - Cervical Blade (22" x 10" x 2 1/2")	29
44016C	Extension Arm with Clip Joint 16"	31	50000UACT	Instrument Case - Cervical Blade Tray (Insert for 50000UAC)	29
44020C	Extension Arm with Clip Joint 20"	31	51234	Suction for AL Surgery with SALS Tip Stylet	19
44115	Hinged Extension Arm 12" x 12"	31	51236	Depth Gauge Anterior Lumbar 335mm (13 1/8")	19
44117	Angled Arm 17" (10" x 7") @ 45° (3/8")	31	60008	MIS Spine Frame Right Arm	25
44118C	Straight Arm with 1 Cam Joint 18"	31	60009	MIS Spine Frame Left Arm	25
44118N	Angled Arm 18" (8" x 10") @ 45°	31	60010	MIS Spine Frame Rack 200mm (7 7/8")	25
44119	Angled Arm 19" (12" x 7") @ 45° (3/8")	31	60015	MIS Spine Frame Dual Blade Adapter	27
44120	Angled Arm 20" (10" x 10") @ 45°	31	60020	T-Handle	33
44120C	Straight Arm with 1 Cam Joint 20"	31	60021	Hex Tool 3/16" with T-Handle	15
44120N	Straight Arm 20"	31	LLS-2000-2	LED Light Source	35
44124N	Angled Arm 24" (8" x 16") @ 45°	31	SL42101	Dual Angle Handle	15
44124W	Angled Arm 24" (11" x 13") @ 45°	31	SL42102	Free Angle Handle	15
44126	Angled Arm 26" (6" x 20") @ 45°	31	SL42126WGLP	Cam II Clip-on Quick Angle 10"	32
44224	Ring Frame Half 13 1/2"	15	SL42126WGP	Cam II Clip-on Quick Angle 8"	32
44614LC	Extension Arm 14" with Cam Latch Mount	31	SL42126WHP	Cam II Clip-on 8" (non-angling)	32
44615FH	Extension Arm with Fixed Hinge Joint	15	SL42127WGP	Cam II Clip-on Quick Angle 8" (3/8")	32
44616EFH	Elite III Rail Clamp with Extension Arm Fixed Hinge Joint	15	SL42128G	Quick Angle Hand Held Adapter	33
45752A	Nerve Root Retractor 90° 5mm x 123mm (1/4" x 4 7/8")	23	SL45003G	Quick Angle Handle 6"	27
45753A	Nerve Root Retractor 45° 8mm x 145mm (3/8" x 5 3/4")	23	SL45003GS	Quick Angle Handle 8"	33
45831	Dilator #1 - 7mm	25	SL45003GSL	Quick Angle Handle 10"	33
45832	Dilator #2 - 12mm	25	SL45003L	Handle 8" (non-angling)	33
45833	Dilator #3 - 17mm	25	SL45003LM	Handle 10" (non-angling)	33
45834	Dilator #4 - 21mm	25	SL45006CGP	Micro-Adjustable II Clip-on Quick Angle 10"	32
45924L	Caudal/Cephalad Left 22mm x 40mm (7/8" x 1 1/2")	26	SL45006CGRP	Micro-Adjustable II Clip-on Quick Angle 15"	32
45924R	Caudal/Cephalad Right 22mm x 40mm (7/8" x 1 1/2")	26	SL45006STCP	Micro-Adjustable II Clip-on 10 3/4" (non-angling)	32
45925L	Caudal/Cephalad Left 22mm x 50mm (7/8" x 2")	26	SL45007CGP	Micro-Adjustable II Clip-on Quick Angle 7 3/4"	32
45925R	Caudal/Cephalad Right 22mm x 50mm (7/8" x 2")	26	SL45007PGP	Micro-Adjustable II Clip-on Quick Angle 20"	32
45926L	Caudal/Cephalad Left 22mm x 60mm (7/8" x 2 3/8")	26	SL45007STCP	Micro-Adjustable II Clip-On 8 3/4" (non-angling)	32
45926R	Caudal/Cephalad Right 22mm x 60mm (7/8" x 2 3/8")	26	SL45007STG	Micro-Adjustable II Slide-on Quick Angle 7 3/4"	32
45927L	Caudal/Cephalad Left 22mm x 70mm (7/8" x 2 3/4")	26	SL45012S	Interchangeable Head with 1/4" Scissor	25
45927R	Caudal/Cephalad Right 22mm x 70mm (7/8" x 2 3/4")	26	SL45150A	Concave Lateral 19mm x 55mm (3/4" x 2 1/4")	8
45928L	Caudal/Cephalad Left 22mm x 80mm (7/8" x 3 1/8")	26	SL45150AT	Radiolucent Concave Lateral 22mm x 60mm (7/8" x 2 3/8")	8
45928R	Caudal/Cephalad Right 22mm x 80mm (7/8" x 3 1/8")	26	SL45150ATT	Radiolucent Concave Lateral with Teeth 22mm x 60mm (7/8" x 2 3/8")	8
45929L	Caudal/Cephalad Left 22mm x 90mm (7/8" x 3 1/2")	26	SL45151A	Concave Lateral 25mm x 50mm (1" x 2")	8
45929R	Caudal/Cephalad Right 22mm x 90mm (7/8" x 3 1/2")	26	SL45151AT	Radiolucent Concave Lateral 22mm x 70mm (7/8" x 2 3/4")	8
45930L	Caudal/Cephalad Left 22mm x 100mm (7/8" x 4")	26	SL45151ATT	Radiolucent Concave Lateral with Teeth 22mm x 70mm (7/8" x 2 3/4")	8
45930R	Caudal/Cephalad Right 22mm x 100mm (7/8" x 4")	26	SL45152A	Concave Lateral 25mm x 85mm (1" x 3 3/8")	8
45931L	Caudal/Cephalad Left 22mm x 110mm (7/8" x 4 3/8")	26	SL45152AT	Radiolucent Concave Lateral 22mm x 80mm (7/8" x 3 1/8")	8
45931R	Caudal/Cephalad Right 22mm x 110mm (7/8" x 4 3/8")	26	SL45152ATT	Radiolucent Concave Lateral with Teeth 22mm x 80mm (7/8" x 3 1/8")	8
45932L	Caudal/Cephalad Left 22mm x 120mm (7/8" x 4 3/4")	26	SL45153A	Concave Medial 32mm x 70mm (1 1/4" x 2 3/4")	11

PRODUCT INDEX

PART #	DESCRIPTION	PAGE	PART #	DESCRIPTION	PAGE
SL45154A	Concave Medial 38mm x 70mm (1 1/2" x 2 3/4")	11	SL45651ATT	Radiolucent Concave Tapered with Teeth 23mm x 75mm (1" x 3")	9
SL45155A	Concave Medial 38mm x 85mm (1 1/2" x 3 3/8")	11	SL45652AT	Radiolucent Concave Tapered 23mm x 80mm (1" x 3 1/8")	9
SL45156A	Concave Lateral 25mm x 30mm (1" x 1 1/4")	8	SL45652ATT	Radiolucent Concave Tapered with Teeth 23mm x 80mm (1" x 3 1/8")	9
SL45157A	Concave Lateral 25mm x 40mm (1" x 1 1/2")	8	SL45656A	Malleable 25mm x 110mm (1" x 4 1/2")	10
SL45158A	Concave Lateral 25mm x 60mm (1" x 2 3/8")	8	SL45656AT	Radiolucent Malleable 25mm x 110mm (1" x 4 1/2")	10, 19
SL45159A	Concave Lateral 25mm x 70mm (1" x 2 3/4")	8	SL45657A	Malleable 13mm x 90mm (1/2" x 3 1/2")	10
SL45160A	Concave Longitudinal 23mm x 30mm (1" x 1 1/4")	9	SL45657AT	Radiolucent Malleable 13mm x 90mm (1/2" x 3 1/2")	10, 19
SL45160AT	Radiolucent Concave Longitudinal 23mm x 30mm (1" x 1 1/4")	9	SL45666AT	Radiolucent Odontoid 20mm x 90mm (3/4" x 3 1/2")	9
SL45161A	Concave Longitudinal 23mm x 50mm (1" x 2")	9	SL45750A	Midline R 70mm x 83mm (2 3/4" x 3 1/4")	10
SL45161AT	Radiolucent Concave Longitudinal 23mm x 40mm (1" x 1 1/2")	9	SL45750AT	Radiolucent Midline R 70mm x 83mm (2 3/4" x 3 1/4")	10
SL45162A	Concave Longitudinal 23mm x 70mm (1" x 2 3/4")	9	SL45751A	Midline L 70mm x 83mm (2 3/4" x 3 1/4")	10
SL45162AT	Radiolucent Concave Longitudinal 23mm x 50mm (1" x 2")	9	SL45751AT	Radiolucent Midline L 70mm x 83mm (2 3/4" x 3 1/4")	10
SL45163AT	Radiolucent Concave Longitudinal 23mm x 60mm (1" x 2 3/8")	9	SL45754A	Midline R 57mm x 83mm (2 1/4" x 3 1/4")	10
SL45164AT	Radiolucent Concave Longitudinal 23mm x 70mm (1" x 2 3/4")	9	SL45755A	Midline L 57mm x 83mm (2 1/4" x 3 1/4")	10
SL45165AT	Radiolucent Concave Longitudinal 23mm x 80mm (1" x 3 1/8")	9	SL45760A	Prong 75mm (3")	22
SL45166AT	Radiolucent Concave Longitudinal 23mm x 90mm (1" x 3 1/2")	9	SL45761A	Prong 100mm (4")	22
SL45167AT	Radiolucent Concave Longitudinal 23mm x 100mm (1" x 4")	9	SL45764	PLA Hook 40mm (1 1/2")	27
SL45168AT	Radiolucent Concave Longitudinal 23mm x 110mm (1" x 4 3/8")	9	SL45765	PLA Hook 50mm (2")	27
SL45212A	Concave Medial 13mm x 50mm (1/2" x 2")	11	SL45766	PLA Hook 60mm (2 3/8")	27
SL45214A	Concave Medial 13mm x 75mm (1/2" x 3")	11	SL45767	PLA Hook 70mm (2 3/4")	27
SL45216A	Concave Medial 13mm x 100mm (1/2" x 4")	11	SL45768	PLA Hook 80mm (3 1/8")	27
SL45222A	Concave Medial 19mm x 50mm (3/4" x 2")	11	SL45769	PLA Hook 90mm (3 1/2")	27
SL45224A	Concave Medial 19mm x 75mm (3/4" x 3")	11	SL45770	PLA Hook 100mm (4")	27
SL45226A	Concave Medial 19mm x 100mm (3/4" x 4")	11	SL45771	PLA Hook 110mm (4 3/8")	27
SL45232A	Concave Medial 25mm x 50mm (1" x 2")	11	SL45772	PLA Hook 120mm (4 3/4")	27
SL45234A	Concave Medial 25mm x 75mm (1" x 3")	11	SL46115ET	Radiolucent Malleable 13mm x 64mm (1/2" x 2 1/2")	19
SL45236A	Concave Medial 25mm x 100mm (1" x 4")	11	SL46116ET	Radiolucent Malleable 13mm x 152mm (1/2" x 6")	19
SL45600A	Meyerding 16mm x 75mm (5/8" x 3")	11	SL46117ET	Radiolucent Malleable 13mm x 203mm (1/2" x 8")	19
SL45600AT	Meyerding with Teeth 16mm x 75mm (5/8" x 3")	11	SL46118ET	Radiolucent Malleable 25mm x 203mm (1" x 8")	19
SL45601A	Meyerding 16mm x 100mm (5/8" x 4")	11	SL46118PET	Radiolucent Malleable 25mm x 102mm (1" x 4")	19
SL45601AT	Meyerding with Teeth 16mm x 100mm (5/8" x 4")	11	SL46118RET	Radiolucent Renal Vein 25mm x 203mm (1" x 8")	17
SL45602A	Meyerding 25mm x 100mm (1" x 4")	11	SL46119B	Concave Renal Vein 25mm x 140mm (1" x 5 1/2")	17
SL45602AT	Meyerding with Teeth 25mm x 100mm (1" x 4")	11	SL46119BET	Radiolucent Malleable Renal Vein 25mm x 140mm (1" x 5 1/2")	17
SL45603A	Meyerding 25mm x 125mm (1" x 5")	11	SL46119C	Concave Renal Vein 25mm x 191mm (1" x 7 1/2")	17
SL45603AT	Meyerding with Teeth 25mm x 125mm (1" x 5")	11	SL46119CET	Radiolucent Malleable Renal Vein 25mm x 190mm (1" x 7 1/2")	17
SL45610A	Meyerding 25mm x 60mm (1" x 2 3/8")	11	SL46119RET	Radiolucent Rigid Renal Vein 25mm x 140mm (1" x 5 1/2")	17
SL45610AT	Meyerding with Teeth 25mm x 60mm (1" x 2 3/8")	11	SL46120RET	Radiolucent Rigid Renal Vein 25mm x 190mm (1" x 7 1/2")	17
SL45611A	Meyerding 25mm x 75mm (1" x 3")	11	SL46121RET	Radiolucent Rigid Renal Vein 25mm x 255mm (1" x 10")	17
SL45611AT	Meyerding with Teeth 25mm x 75mm (1" x 3")	11	SL46122AET	Radiolucent Malleable 51mm x 254mm (2" x 10")	19
SL45614A	Meyerding 16mm x 51mm (5/8" x 2")	11	SL46122ET	Radiolucent Malleable 51mm x 203mm (2" x 8")	19
SL45614AT	Meyerding with Teeth 16mm x 51mm (5/8" x 2")	11	SL46122RET	Radiolucent Renal Rigid Vein 25mm x 305mm (1" x 12")	17
SL45620A	Army Navy 13mm x 55mm (1/2" x 2 1/8")	10	SL46124ET	Radiolucent Malleable 64mm x 254mm (2 1/2" x 10")	19
SL45621A	Army Navy 13mm x 65mm (1/2" x 2 5/8")	10	SL46125	Richardson 19mm x 25mm (3/4" x 1")	11
SL45622A	Army Navy 13mm x 75mm (1/2" x 3 1/8")	10	SL46125A	Richardson 19mm x 51mm (3/4" x 2")	11
SL45624AT	Radiolucent MIS Tapered 15mm x 23mm x 35mm (5/8" x 1" x 1 3/8")	10	SL46126	Richardson 25mm x 32mm (1" x 1 1/4")	11
SL45625AT	Radiolucent MIS Tapered 15mm x 23mm x 40mm (5/8" x 1" x 1 1/2")	10	SL46140ET	Radiolucent Balfour [with lips] 65mm x 72mm (2 1/2" x 2 3/4")	18
SL45626AT	Radiolucent MIS Tapered 15mm x 23mm x 45mm (5/8" x 1" x 1 3/4")	10	SL46141ET	Radiolucent Balfour [with lips] 83mm x 70mm (3 1/4" x 2 3/4")	18
SL45627AT	Radiolucent MIS Tapered 15mm x 23mm x 50mm (5/8" x 1" x 2")	10	SL46142EB	Radiolucent Balfour [with lips] 32mm x 32mm (1 1/4" x 1 1/4") [Anodized]	18
SL45628AT	Radiolucent MIS Tapered 15mm x 23mm x 55mm (5/8" x 1" x 2 1/8")	10	SL46142ET	Radiolucent Balfour [with lips] 32mm x 32mm (1 1/4" x 1 1/4")	18
SL45629AT	Radiolucent MIS Tapered 15mm x 23mm x 60mm (5/8" x 1" x 2 3/8")	10	SL46142PEB	Radiolucent Balfour [with lips] 51mm x 51mm (2" x 2") [Anodized]	18
SL45630AT	Radiolucent MIS Tapered 15mm x 23mm x 65mm (5/8" x 1" x 2 1/2")	10	SL46145ET	Radiolucent Splanchnic 51mm x 115mm (2" x 4 1/2")	19
SL45631AT	Radiolucent MIS Tapered 15mm x 23mm x 70mm (5/8" x 1" x 2 3/4")	10	SL46146ET	Radiolucent Splanchnic 51mm x 152mm (2" x 6")	19
SL45632AT	Radiolucent MIS Tapered 15mm x 23mm x 75mm (5/8" x 1" x 3")	10	SL46147ET	Radiolucent Splanchnic 51mm x 203mm (2" x 8")	19
SL45640A	Concave Lateral 18mm x 70mm (5/8" x 2 3/4")	8	SL46148ET	Radiolucent Splanchnic 25mm x 152mm (1" x 6")	19
SL45641A	Concave Tapered 45mm x 50mm (1 3/4" x 2")	9	SL46149ET	Radiolucent Splanchnic 25mm x 203mm (1" x 8")	19
SL45641AT	Radiolucent Concave Tapered 51mm x 50mm (2" x 2")	9	SL46160ET	Radiolucent Harrington 64mm x 152mm (2 1/2" x 6")	18
SL45641ATT	Radiolucent Concave Tapered with Teeth 51mm x 50mm (2" x 2")	9	SL46163ET	Radiolucent Harrington 64mm x 203mm (2 1/2" x 8")	18
SL45642A	Concave Tapered 45mm x 65mm (1 3/4" x 2 1/2")	9	SL46164ET	Radiolucent Harrington 64mm x 254mm (2 1/2" x 10")	18
SL45642AT	Radiolucent Concave Tapered 51mm x 65mm (2" x 2 1/2")	9	SL46165ET	Radiolucent Harrington 64mm x 102mm (2 1/2" x 4")	18
SL45642ATT	Radiolucent Concave Tapered with Teeth 51mm x 65mm (2" x 2 1/2")	9	SL46170ET	Radiolucent Deaver 25mm x 127mm (1" x 5")	18
SL45643A	Concave Tapered 19mm x 35mm (3/4" x 1 3/8")	9	SL46172ET	Radiolucent Deaver 38mm x 127mm (1 1/2" x 5")	18
SL45643AT	Radiolucent Concave Tapered 23mm x 35mm (1" x 1 3/8")	9	SL46174ET	Radiolucent Deaver 51mm x 127mm (2" x 5")	18
SL45643ATT	Radiolucent Concave Tapered with Teeth 23mm x 35mm (1" x 1 3/8")	9	SL46176ET	Radiolucent Deaver 76mm x 127mm (3" x 5")	18
SL45644AT	Radiolucent Concave Tapered 23mm x 40mm (1" x 1 1/2")	9	SL46178ET	Radiolucent Deaver 100mm x 127mm (4" x 5")	18
SL45644ATT	Radiolucent Concave Tapered with Teeth 23mm x 40mm (1" x 1 1/2")	9	SL46192ET	Reverse Lip Malleable 25mm x 200mm (1" x 7 7/8")	16
SL45645A	Concave Tapered 19mm x 45mm (3/4" x 1 3/4")	9	SL46193ET	Reverse Lip Malleable 32mm x 200mm (1 1/4" x 7 7/8")	16
SL45645AT	Radiolucent Concave Tapered 23mm x 45mm (3/4" x 1 3/4")	9	SL46260RET	Reverse Lip Rigid 25mm x 100mm (1" x 4")	16
SL45645ATT	Radiolucent Concave Tapered with Teeth 23mm x 45mm (3/4" x 1 3/4")	9	SL46260TET	Reverse Lip Tapered 25mm x 100mm (1" x 4")	16
SL45646A	Concave Tapered 19mm x 50mm (3/4" x 2")	9	SL46261RET	Reverse Lip Rigid 25mm x 110mm (1" x 4 3/8")	16
SL45646AT	Radiolucent Concave Tapered 23mm x 50mm (1" x 2")	9	SL46262RET	Reverse Lip Rigid 25mm x 120mm (1" x 4 3/4")	16
SL45646ATT	Radiolucent Concave Tapered with Teeth 23mm x 50mm (1" x 2")	9	SL46263RET	Reverse Lip Rigid 25mm x 130mm (1" x 5 1/8")	16
SL45647AT	Radiolucent Concave Tapered 23mm x 55mm (1" x 2 1/8")	9	SL46264RET	Reverse Lip Rigid 25mm x 140mm (1" x 5 1/2")	16
SL45647ATT	Radiolucent Concave Tapered with Teeth 23mm x 55mm (1" x 2 1/8")	9	SL46265RET	Reverse Lip Rigid 25mm x 150mm (1" x 5 7/8")	16
SL45648AT	Radiolucent Concave Tapered 23mm x 60mm (1" x 2 3/8")	9	SL46265TET	Reverse Lip Tapered 25mm x 150mm (1" x 5 7/8")	16
SL45648ATT	Radiolucent Concave Tapered with Teeth 23mm x 60mm (1" x 2 3/8")	9	SL46266RET	Reverse Lip Rigid 25mm x 160mm (1" x 6 1/4")	16
SL45649AT	Radiolucent Concave Tapered 23mm x 65mm (1" x 2 1/2")	9	SL46267RET	Reverse Lip Rigid 25mm x 170mm (1" x 6 5/8")	16
SL45649ATT	Radiolucent Concave Tapered with Teeth 23mm x 65mm (1" x 2 1/2")	9	SL46268RET	Reverse Lip Rigid 25mm x 180mm (1" x 7")	16
SL45650AT	Radiolucent Concave Tapered 23mm x 70mm (1" x 2 3/4")	9	SL46269RET	Reverse Lip Rigid 25mm x 190mm (1" x 7 1/2")	16
SL45650ATT	Radiolucent Concave Tapered with Teeth 23mm x 70mm (1" x 2 3/4")	9	SL46270RET	Reverse Lip Rigid 25mm x 200mm (1" x 7 7/8")	16
SL45651AT	Radiolucent Concave Tapered 23mm x 75mm (1" x 3")	9	SL46270TET	Reverse Lip Tapered 25mm x 200mm (1" x 7 7/8")	16

PART #	DESCRIPTION	PAGE	PART #	DESCRIPTION	PAGE
SL46271RET	Reverse Lip Rigid 25mm x 210mm (1" x 8 1/4")	16	SL46560	Radiolucent Concave 25mm x 100mm (1" x 4")	17
SL46272RET	Reverse Lip Rigid 25mm x 220mm (1" x 8 5/8")	16	SL46561	Radiolucent Concave 25mm x 110mm (1" x 4 3/8")	17
SL46273RET	Reverse Lip Rigid 25mm x 230mm (1" x 9")	16	SL46562	Radiolucent Concave 25mm x 120mm (1" x 4 3/4")	17
SL46274RET	Reverse Lip Rigid 25mm x 240mm (1" x 9 1/2")	16	SL46563	Radiolucent Concave 25mm x 130mm (1" x 5 1/8")	17
SL46275RET	Reverse Lip Rigid 25mm x 250mm (1" x 9 7/8")	16	SL46564	Radiolucent Concave 25mm x 140mm (1" x 5 1/2")	17
SL46275TET	Reverse Lip Tapered 25mm x 250mm (1" x 9 7/8")	16	SL46565	Radiolucent Concave 25mm x 150mm (1" x 5 7/8")	17
SL46280RET	Reverse Lip Rigid 32mm x 100mm (1 1/4" x 4")	16	SL46566	Radiolucent Concave 25mm x 160mm (1" x 6 1/4")	17
SL46281RET	Reverse Lip Rigid 32mm x 110mm (1 1/4" x 4 3/8")	16	SL46567	Radiolucent Concave 25mm x 170mm (1" x 6 5/8")	17
SL46282RET	Reverse Lip Rigid 32mm x 120mm (1 1/4" x 4 3/4")	16	SL46568	Radiolucent Concave 25mm x 180mm (1" x 7")	17
SL46283RET	Reverse Lip Rigid 32mm x 130mm (1 1/4" x 5 1/8")	16	SL46569	Radiolucent Concave 25mm x 190mm (1" x 7 1/2")	17
SL46284RET	Reverse Lip Rigid 32mm x 140mm (1 1/4" x 5 1/2")	16	SL46570	Radiolucent Concave 25mm x 200mm (1" x 7 7/8")	17
SL46285RET	Reverse Lip Rigid 32mm x 150mm (1 1/4" x 5 7/8")	16	SL46571	Radiolucent Concave 25mm x 210mm (1" x 8 1/4")	17
SL46286RET	Reverse Lip Rigid 32mm x 160mm (1 1/4" x 6 1/4")	16	SL46572	Radiolucent Concave 25mm x 220mm (1" x 8 5/8")	17
SL46287RET	Reverse Lip Rigid 32mm x 170mm (1 1/4" x 6 5/8")	16	SL46573	Radiolucent Concave 25mm x 230mm (1" x 9")	17
SL46288RET	Reverse Lip Rigid 32mm x 180mm (1 1/4" x 7")	16	SL46574	Radiolucent Concave 25mm x 240mm (1" x 9 1/2")	17
SL46289RET	Reverse Lip Rigid 32mm x 190mm (1 1/4" x 7 1/2")	16	SL46575	Radiolucent Concave 25mm x 250mm (1" x 9 7/8")	17
SL46290RET	Reverse Lip Rigid 32mm x 200mm (1 1/4" x 7 7/8")	16	SL46604ATT	PLA Medial/Lateral with Fine Teeth 13 1/2mm x 40mm (1/2" x 1 1/2")	26
SL46291RET	Reverse Lip Rigid 32mm x 210mm (1 1/4" x 8 1/4")	16	SL46605ATT	PLA Medial/Lateral with Fine Teeth 13 1/2mm x 50mm (1/2" x 2")	26
SL46292RET	Reverse Lip Rigid 32mm x 220mm (1 1/4" x 8 5/8")	16	SL46606ATT	PLA Medial/Lateral with Fine Teeth 13 1/2mm x 60mm (1/2" x 2 3/8")	26
SL46293RET	Reverse Lip Rigid 32mm x 230mm (1 1/4" x 9")	16	SL46607ATT	PLA Medial/Lateral with Fine Teeth 13 1/2mm x 70mm (1/2" x 2 3/4")	26
SL46294RET	Reverse Lip Rigid 32mm x 240mm (1 1/4" x 9 1/2")	16	SL46608ATT	PLA Medial/Lateral with Fine Teeth 13 1/2mm x 80mm (1/2" x 3 1/8")	26
SL46295RET	Reverse Lip Rigid 32mm x 250mm (1 1/4" x 9 7/8")	16	SL46609ATT	PLA Medial/Lateral with Fine Teeth 13 1/2mm x 90mm (1/2" x 3 1/2")	26
SL46312AT	Radiolucent Concave Lateral 23mm x 35mm (1" x 1 3/8")	8	SL46610ATT	PLA Medial/Lateral with Fine Teeth 13 1/2mm x 100mm (1/2" x 4")	26
SL46312ATT	Radiolucent Concave Lateral with Teeth 23mm x 35mm (1" x 1 3/8")	8	SL46611ATT	PLA Medial/Lateral with Fine Teeth 13 1/2mm x 110mm (1/2" x 4 3/8")	26
SL46314AT	Radiolucent Concave Lateral 23mm x 40mm (1" x 1 1/2")	8	SL46612ATT	PLA Medial/Lateral with Fine Teeth 13 1/2mm x 120mm (1/2" x 4 3/4")	26
SL46314ATT	Radiolucent Concave Lateral with Teeth 23mm x 40mm (1" x 1 1/2")	8	SL46704AT	PLA Medial/Lateral with Lip 13 1/2mm x 40mm (1/2" x 1 1/2")	26
SL46316AT	Radiolucent Concave Lateral 23mm x 45mm (1" x 1 3/4")	8	SL46705AT	PLA Medial/Lateral with Lip 13 1/2mm x 50mm (1/2" x 2")	26
SL46316ATT	Radiolucent Concave Lateral with Teeth 23mm x 45mm (1" x 1 3/4")	8	SL46706AT	PLA Medial/Lateral with Lip 13 1/2mm x 60mm (1/2" x 2 3/8")	26
SL46318AT	Radiolucent Concave Lateral 23mm x 50mm (1" x 2")	8	SL46707AT	PLA Medial/Lateral with Lip 13 1/2mm x 70mm (1/2" x 2 3/4")	26
SL46318ATT	Radiolucent Concave Lateral with Teeth 23mm x 50mm (1" x 2")	8	SL46708AT	PLA Medial/Lateral with Lip 13 1/2mm x 80mm (1/2" x 3 1/8")	26
SL46320AT	Radiolucent Concave Lateral 23mm x 55mm (1" x 2 1/8")	8	SL46709AT	PLA Medial/Lateral with Lip 13 1/2mm x 90mm (1/2" x 3 1/2")	26
SL46320ATT	Radiolucent Concave Lateral with Teeth 23mm x 55mm (1" x 2 1/8")	8	SL46710AT	PLA Medial/Lateral with Lip 13 1/2mm x 100mm (1/2" x 4")	26
SL46322AT	Radiolucent Concave Lateral 23mm x 60mm (1" x 2 3/8")	8	SL46711AT	PLA Medial/Lateral with Lip 13 1/2mm x 110mm (1/2" x 4 3/8")	26
SL46322ATT	Radiolucent Concave Lateral with Teeth 23mm x 60mm (1" x 2 3/8")	8	SL46712AT	PLA Medial/Lateral with Lip 13 1/2mm x 120mm (1/2" x 4 3/4")	26
SL46324AT	Radiolucent Concave Lateral 23mm x 65mm (1" x 2 1/2")	8	SL82017	Cervical System	6-7
SL46324ATT	Radiolucent Concave Lateral with Teeth 23mm x 65mm (1" x 2 1/2")	8	SL82019	Anterior Lumbar System	12-13
SL46326AT	Radiolucent Concave Lateral 23mm x 70mm (1" x 2 3/4")	8	SL82020	Posterior Lumbar System	20-21
SL46326ATT	Radiolucent Concave Lateral with Teeth 23mm x 70mm (1" x 2 3/4")	8	SL82021	MIS PLA System	24-25
SL46328AT	Radiolucent Concave Lateral 23mm x 75mm (1" x 3")	8	SL82023	Anterior Lumbar Ring System	14-15
SL46328ATT	Radiolucent Concave Lateral with Teeth 23mm x 75mm (1" x 3")	8	SO45612A	Meyerding 51mm x 60mm (2" x 2 3/8")	11
SL46330AT	Radiolucent Concave Lateral 23mm x 80mm (1" x 3 1/8")	8	SO45612AET	Radiolucent Meyerding 51mm x 60mm (2" x 2 3/8")	11
SL46330ATT	Radiolucent Concave Lateral with Teeth 23mm x 80mm (1" x 3 1/8")	8	SO45612AETT	Radiolucent Meyerding with Teeth 51mm x 60mm (2" x 2 3/8")	11
SL46332AT	Radiolucent Concave Lateral 23mm x 85mm (1" x 3 3/8")	8	SO45612AT	Meyerding with Teeth 51mm x 60mm (2" x 2 3/8")	11
SL46332ATT	Radiolucent Concave Lateral with Teeth 23mm x 85mm (1" x 3 3/8")	8	SO45613A	Meyerding 51mm x 75mm (2" x 3")	11
SL46334AT	Radiolucent Concave Lateral 23mm x 90mm (1" x 3 1/2")	8	SO45613AT	Meyerding with Teeth 51mm x 75mm (2" x 3")	11
SL46334ATT	Radiolucent Concave Lateral with Teeth 23mm x 90mm (1" x 3 1/2")	8	SO45615A	Meyerding 51mm x 100mm (2" x 4")	11
SL46336AT	Radiolucent Concave Lateral 23mm x 95mm (1" x 3 5/8")	8	SO45615AT	Meyerding with Teeth 51mm x 100mm (2" x 4")	11
SL46336ATT	Radiolucent Concave Lateral with Teeth 23mm x 95mm (1" x 3 5/8")	8	SO45616A	Meyerding 51mm x 125mm (2" x 5")	11
SL46338AT	Radiolucent Concave Lateral 23mm x 100mm (1" x 4")	8	SO45616AT	Meyerding with Teeth 51mm x 125mm (2" x 5")	11
SL46338ATT	Radiolucent Concave Lateral with Teeth 23mm x 100mm (1" x 4")	8	SO45670ATTC	Radiolucent Posterior Lumbar 23mm x 80mm (7/8" x 3 1/8")	22
SL46340AT	Radiolucent Concave Lateral 23mm x 105mm (1" x 4 1/8")	8	SO45671ATTC	Radiolucent Posterior Lumbar 45mm x 80mm (1 3/4" x 3 1/8")	22
SL46340ATT	Radiolucent Concave Lateral with Teeth 23mm x 105mm (1" x 4 1/8")	8	SO45672ATTC	Radiolucent Posterior Lumbar 60mm x 80mm (2 3/8" x 3 1/8")	22
SL46342AT	Radiolucent Concave Lateral 23mm x 110mm (1" x 4 3/8")	8	SO45673ATTC	Radiolucent Posterior Lumbar 23mm x 100mm (7/8" x 4 3/8")	22
SL46342ATT	Radiolucent Concave Lateral with Teeth 23mm x 110mm (1" x 4 3/8")	8	SO45674ATTC	Radiolucent Posterior Lumbar 45mm x 100mm (1 3/4" x 4")	22
SL46344AT	Radiolucent Concave Lateral 23mm x 115mm (1" x 4 1/2")	8	SO45675ATTC	Radiolucent Posterior Lumbar 60mm x 100mm (2 3/8" x 4")	22
SL46344ATT	Radiolucent Concave Lateral with Teeth 23mm x 115mm (1" x 4 1/2")	8	SO45676ATTC	Radiolucent Posterior Lumbar 23mm x 120mm (7/8" x 4 3/4")	22
SL46346AT	Radiolucent Concave Lateral 23mm x 120mm (1" x 4 3/4")	8	SO45677ATTC	Radiolucent Posterior Lumbar 45mm x 120mm (1 3/4" x 4 3/4")	22
SL46346ATT	Radiolucent Concave Lateral with Teeth 23mm x 120mm (1" x 4 3/4")	8	SO45678ATTC	Radiolucent Posterior Lumbar 60mm x 120mm (2 3/8" x 4 3/4")	22
SL46510AT	Radiolucent Concave Micro 14mm x 35mm (1/2" x 1 3/8")	8	SO45679ATTC	Radiolucent Posterior Lumbar 23mm x 150mm (7/8" x 5 7/8")	22
SL46512AT	Radiolucent Concave Micro 14mm x 40mm (1/2" x 1 1/2")	8	SO45680ATTC	Radiolucent Posterior Lumbar 45mm x 150mm (1 3/4" x 5 7/8")	22
SL46512ATT	Radiolucent Concave Micro with Teeth 14mm x 40mm (1/2" x 1 1/2")	8	SO45681ATTC	Radiolucent Posterior Lumbar 60mm x 150mm (2 3/8" x 5 7/8")	22
SL46514AT	Radiolucent Concave Micro 14mm x 45mm (1/2" x 1 1/2")	8	SO45682ATTC	Radiolucent Posterior Lumbar 23mm x 180mm (7/8" x 7")	22
SL46514ATT	Radiolucent Concave Micro with Teeth 14mm x 45mm (1/2" x 1 1/2")	8	SO45683ATTC	Radiolucent Posterior Lumbar 45mm x 180mm (1 3/4" x 7")	22
SL46516AT	Radiolucent Concave Micro 14mm x 50mm (1/2" x 2")	8	SO45684ATTC	Radiolucent Posterior Lumbar 60mm x 180mm (2 3/8" x 7")	22
SL46516ATT	Radiolucent Concave Micro with Teeth 14mm x 50mm (1/2" x 2")	8	SO46124AET	Radiolucent Malleable 76mm x 254mm (3" x 10")	19
SL46518AT	Radiolucent Concave Micro 14mm x 55mm (1/2" x 2 1/8")	8	SO46124BET	Radiolucent Malleable 102mm x 254mm (4" x 10")	19
SL46518ATT	Radiolucent Concave Micro with Teeth 14mm x 55mm (1/2" x 2 1/8")	8	SO46140CEB	Radiolucent Balfour [small lips] 65mm x 72mm (2 1/2" x 2 3/4") [Anodized]	18
SL46520AT	Radiolucent Concave Micro 14mm x 60mm (1/2" x 2 3/8")	8	SO46140CEB	Radiolucent Balfour [small lips] 65mm x 72mm (2 1/2" x 2 3/4")	18
SL46520ATT	Radiolucent Concave Micro with Teeth 14mm x 60mm (1/2" x 2 3/8")	8	SO46140EB	Radiolucent Balfour [with lips] 65mm x 72mm (2 1/2" x 2 3/4") [Anodized]	18
SL46522AT	Radiolucent Concave Micro 14mm x 65mm (1/2" x 2 1/2")	8	SO46140ET	Radiolucent Balfour [with lips] 65mm x 72mm (2 1/2" x 2 3/4")	18
SL46522ATT	Radiolucent Concave Micro with Teeth 14mm x 65mm (1/2" x 2 1/2")	8	SO46141CEB	Radiolucent Balfour [small lips] 83mm x 70mm (3 1/4" x 2 3/4") [Anodized]	18
SL46524AT	Radiolucent Concave Micro 14mm x 70mm (1/2" x 2 3/4")	8	SO46141CET	Radiolucent Balfour [small lips] 83mm x 70mm (3 1/4" x 2 3/4")	18
SL46524ATT	Radiolucent Concave Micro with Teeth 14mm x 70mm (1/2" x 2 3/4")	8	SO46141DEB	Radiolucent Balfour [with lips] 83mm x 127mm (3 1/4" x 5") [Anodized]	18
SL46526AT	Radiolucent Concave Micro 14mm x 75mm (1/2" x 3")	8	SO46141DET	Radiolucent Balfour [with lips] 83mm x 127mm (3 1/4" x 5")	18
SL46526ATT	Radiolucent Concave Micro with Teeth 14mm x 75mm (1/2" x 3")	8	SO46141EB	Radiolucent Balfour [with lips] 83mm x 70mm (3 1/4" x 2 3/4") [Anodized]	18
SL46528AT	Radiolucent Concave Micro 14mm x 80mm (1/2" x 3 1/8")	8	SO46141ET	Radiolucent Balfour [with lips] 83mm x 70mm (3 1/4" x 2 3/4")	18
SL46528ATT	Radiolucent Concave Micro with Teeth 14mm x 80mm (1/2" x 3 1/8")	8	SO46175SET	Radiolucent Deaver 64mm x 127mm (2 1/2" x 5")	18
SL46558	Radiolucent Concave 25mm x 80mm (1" x 3 1/8")	17	SO46176ET	Radiolucent Deaver 76mm x 127mm (3" x 5")	18
SL46559	Radiolucent Concave 25mm x 90mm (1" x 3 1/2")	17	SO46178ET	Radiolucent Deaver 100mm x 127mm (4" x 5")	18



For a Free Trial Call Today\*

**1.800.227.7543**

Rev B  
071618  
mg spinecat



Uncompromised Exposure™

VISIT US ONLINE: [THOMPSONSURGICAL.COM](http://THOMPSONSURGICAL.COM)

**Thompson**   
SURGICAL INSTRUMENTS

\* Free trial valid for U.S. customers only. International customers please call for more information.

© 2018 Thompson Surgical Instruments, Inc. Traverse City, Michigan. Printed in U.S.A.

® Thompson®, S-Lock® @, PLA®, and the "T Circle" logomark  are Registered Trademarks of Thompson Surgical Instruments, Inc.

Patents: US4971038, US5025780, US5888197, US5897087, US5902233, US5984865, US6033363, US6416465, US6511423, US7338442, US7749163, US8257255, US8360971, US8617064

Other patents pending.

The MIS Retractor Lite LED ( #40002MIS ), Mini Retractor Lite LED ( #40002MRL ), and LED Light Source ( #LLS-2000-2 ) are manufactured by Sunoptic Technologies® and distributed by Thompson Surgical Instruments, Inc.

**Made In**  
**USA** 